

BROKIS®



CM12094

# AWA

PC1130



Download

### COMPONENTS OF PACKAGING:

1x ceiling bracket  
1x ceiling canopy  
1x glass shade  
1x body with power cable  
2x hex screws (M5x16)  
1x hex key (size 2.5)  
2x terminal connectors  
1x terminal box  
1x cotton gloves  
1x installation manual

### WARNING:

**Installation must be carried out by a qualified electrician only.**

**Switch off power at main circuit panel prior to installation!**

**The manufacturer assumes no liability for damage occurring in transport or resulting from incorrect installation.**

**Instalation time: 30 minutes / 2 persons**



BROKIS®

BROKIS S.R.O.  
ŠPANIĚLOVA 1315/25  
163 00 PRAHA 6 - ŘEPY  
CZECH REPUBLIC

ORG. ID 64940799  
VAT ID CZ64940799  
C 42174 MĚSTSKÝ SOUD  
V PRAZE

TEL +420 567 211 517  
TECHNICAL@BROKIS.CZ  
INFO@BROKIS.CZ  
WWW.BROKIS.CZ



## CLEANING THE GLASS

**BROKIS applies the highest possible quality standards in manufacturing its lights. Prior to shipping, each light undergoes several quality controls and stages of cleaning. Lights may require additional cleaning as a result of transportation, storage, and the amount of time that passes between packing in our plant and subsequent unpacking by the client. Therefore, we emphasizes cleaning the lights prior to installation.**

**The glass must first be rinsed in hot water, with a dilution of a dish-detergent used to remove all foreign particles and dust. Eventually repeat this basic treatment, if necessary. Afterwards the glass must have a second cleaning using hot water, with a dilution of a de-greaser (such as ammonia or vinegar). The glass must then be thoroughly rinsed with running hot water. Eventually repeat this treatment, if necessary. The glass is then thoroughly dried with a paper towel or a clean soft cotton towel. Only re-assemble the glass to the lamp body, when completely cooled down.**

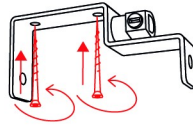
**Do not use mineral spirits, highly concentrated thinners, or other substances not intended for use on glass surfaces. Also: do not use products, containing silicones – since they will rapidly attract more dust and grease.**

**PRIOR TO SHIPPING, THE FUNCTIONALITY OF EACH LIGHT AND ITS COMPONENTS IS THOROUGHLY TESTED. THE MANUFACTURER ASSUMES NO LIABILITY FOR THE MISHANDLING OF PRODUCTS.**



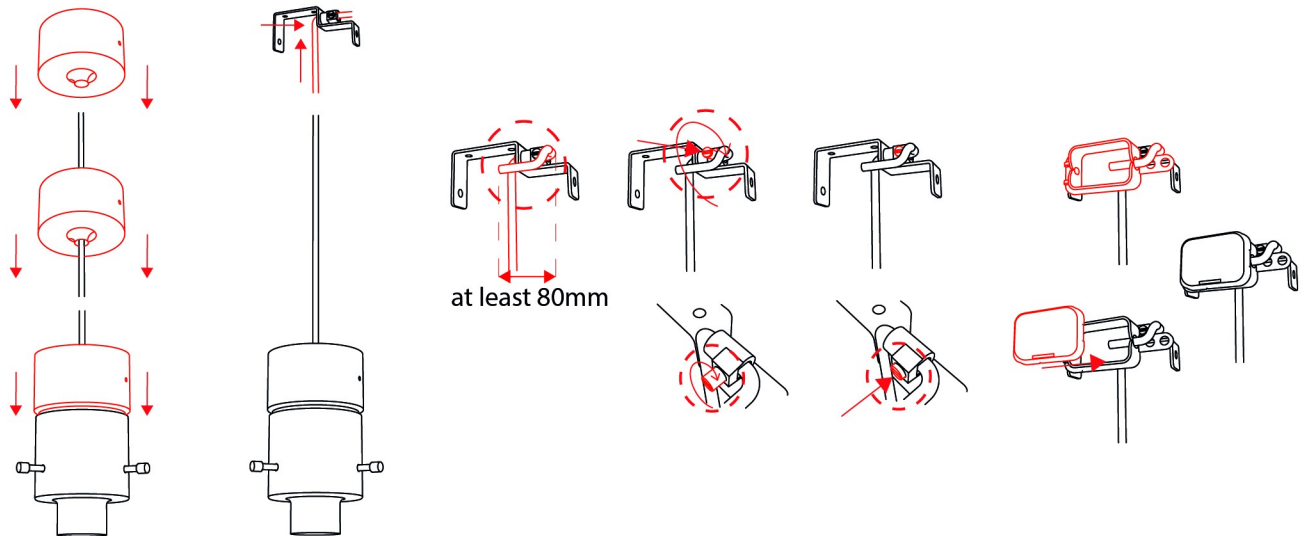
## 1. INSTALLING THE CEILING CANOPY BRACKET

Use anchors of sufficient strength (not included) and secure the canopy bracket to the ceiling. With regard to various types of ceilings, we recommend consulting installation with an expert. The manufacturer assumes no liability for incorrect installation, the use of improper anchors, or defects in the material to which the bracket is secured.



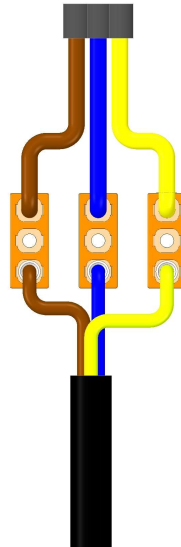
## 2. INSTALLING THE POWER CABLE

Thread the ceiling canopy onto the power cable and place it carefully on the body of the light. Pass the cable through the plastic grommet in the ceiling bracket so that it extends by approximately 8–10 cm. Use a flathead screwdriver to tighten the screw in the plastic grommet and secure the cable (1–1.5 Nm). Insert the power cable into the terminal box and then close the cover once the light has been connected to the building wiring.



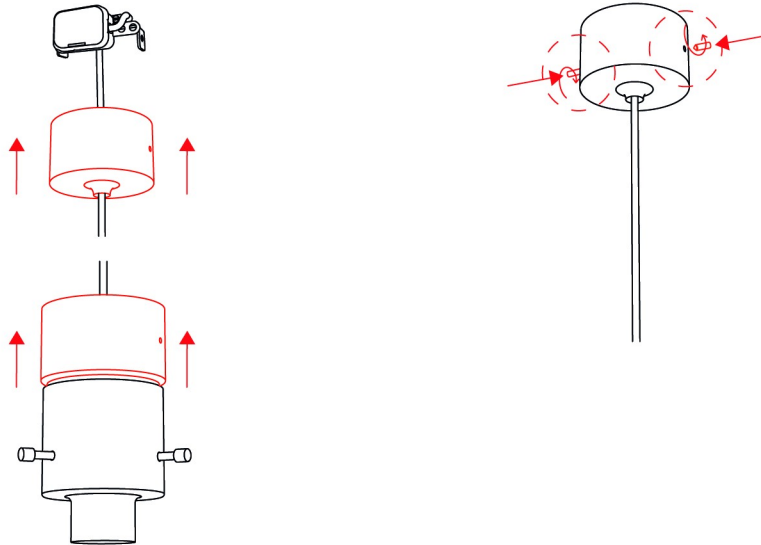
### 3. CONNECTING THE LIGHT TO THE BUILDING WIRING

Connect the light to the building wiring according to the connection diagram.



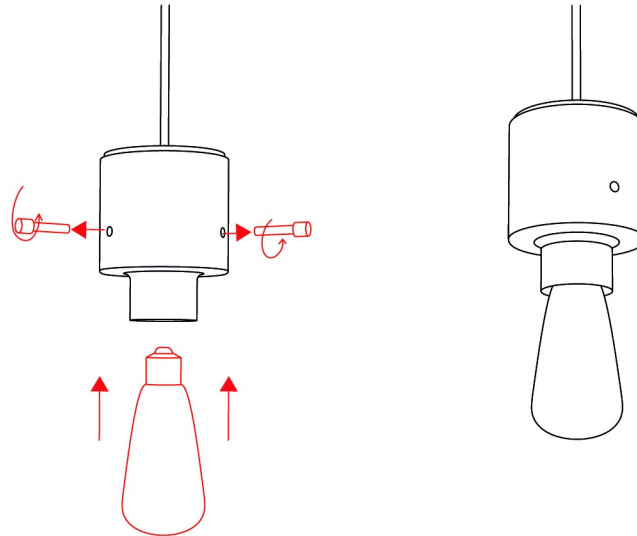
#### 4. INSTALLING THE CEILING CANOPY

Carefully position the ceiling canopy over the bracket. Use the two hex screws (M5x16) and the hex key to secure the ceiling canopy to the bracket. Do not sink the screws into the ceiling canopy – we recommend installing them so that they extend from the ceiling canopy by at least 1 mm.



## 5. INSTALLING THE LIGHT SOURCE

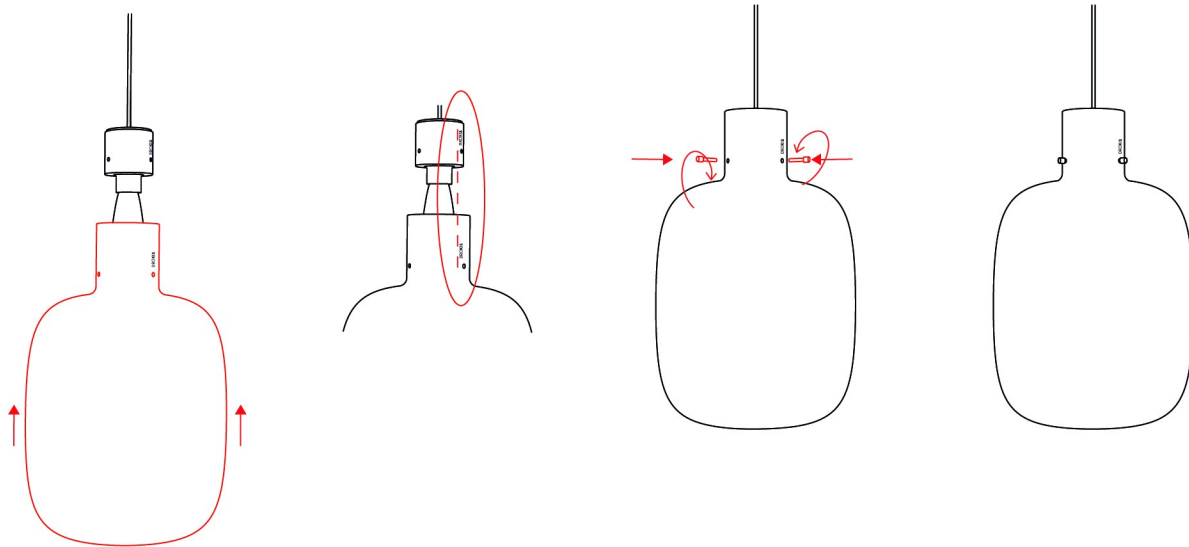
Remove the screws from the body of the light and install the light source (E27 bulb).





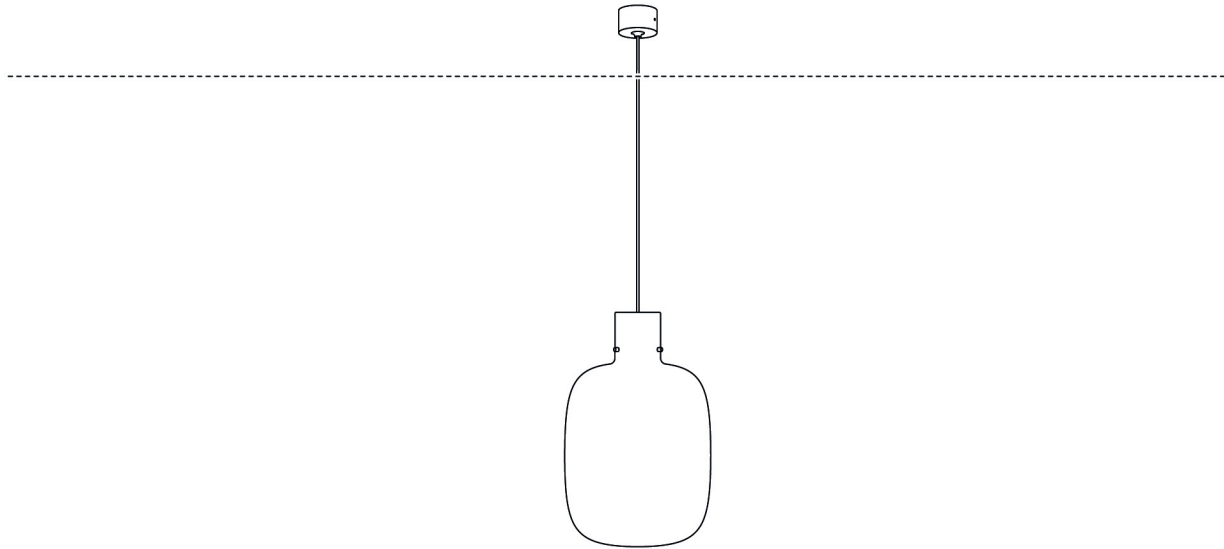
## 6. INSTALLING THE LIGHT

There is a logo sticker on the body of the light and also on the glass shade. Position the glass shade on the body of the light so that the stickers are aligned. Insert the screws into the holes in the glass shade and screw them into the body. The manufacturer adjusts the body of each light to ensure that it hangs straight.



## 7. SWITCHING ON THE LIGHT

Restore power at the main circuit panel and verify that the light works properly.



## 8. BALANCING THE LIGHT

Loosen the nut in the upper part of the body by approximately one half turn and shift the light in the groove as required. When the light is balanced, retighten the nut.

