



BROKIS®

CM12223

# MONA

PENDENT M, L - PC979, PC938



Download

### COMPONENTS INCLUDED WITH UNIT:

- 1x assembled light
- 1x ceiling bracket with ceiling canopy
- 1x hex key size 2.5
- 1x electronic power supply
- 1x dimmer
- 1x remote control
- 1x strap adjuster
- 4x terminal connectors
- 1x terminal box
- 1x cotton gloves
- 1x installation manual

### WARNING:

**Installation must be carried out by a qualified electrician only.**

**Switch off power at main circuit panel prior to installation!**

**The manufacturer assumes no liability for damage occurring in transport or resulting from incorrect installation.**

**Instalation time: 30 minutes / 2 persons**



BROKIS®

BROKIS S.R.O.  
ŠPANIĚLOVA 1315/25  
163 00 PRAHA 6 - ŘEPY  
CZECH REPUBLIC

ORG. ID 64940799  
VAT ID CZ64940799  
C 42174 MĚSTSKÝ SOUD  
V PRAZE

TEL +420 567 211 517  
TECHNICAL@BROKIS.CZ  
INFO@BROKIS.CZ  
WWW.BROKIS.CZ



### CLEANING THE GLASS

**BROKIS applies the highest possible quality standards in manufacturing its lights. Prior to shipping, each light undergoes several quality controls and stages of cleaning. Lights may require additional cleaning as a result of transportation, storage, and the amount of time that passes between packing in our plant and subsequent unpacking by the client. Therefore, we emphasizes cleaning the lights prior to installation.**

**The glass must first be rinsed in hot water, with a dilution of a dish-detergent used to remove all foreign particles and dust. Eventually repeat this basic treatment, if necessary. Afterwards the glass must have a second cleaning using hot water, with a dilution of a de-greaser (such as ammonia or vinegar). The glass must then be thoroughly rinsed with running hot water. Eventually repeat this treatment, if necessary. The glass is then thoroughly dried with a paper towel or a clean soft cotton towel. Only re-assemble the glass to the lamp body, when completely cooled down.**

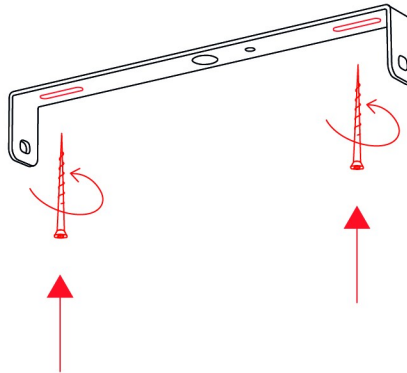
**Do not use mineral spirits, highly concentrated thinners, or other substances not intended for use on glass surfaces. Also: do not use products, containing silicones – since they will rapidly attract more dust and grease.**

**PRIOR TO SHIPPING, THE FUNCTIONALITY OF EACH LIGHT AND ITS COMPONENTS IS THOROUGHLY TESTED. THE MANUFACTURER ASSUMES NO LIABILITY FOR THE MISHANDLING OF PRODUCTS.**



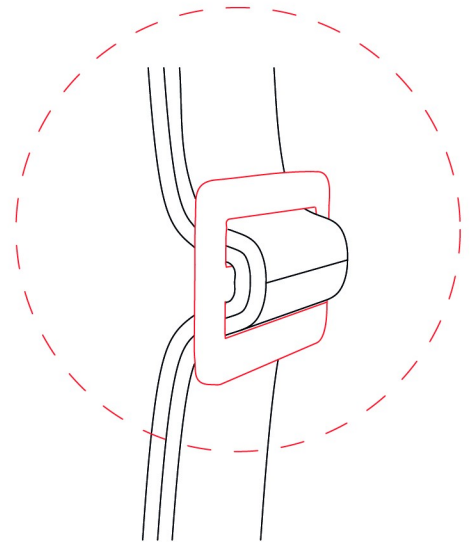
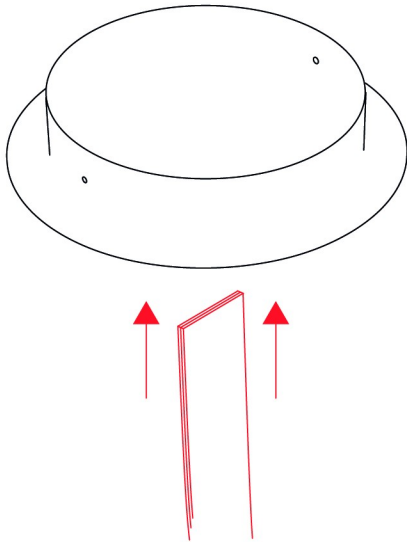
## 1. INSTALLING THE CEILING BRACKET

Using anchors of sufficient strength (not included), secure the bracket to the ceiling. With regard to various types of ceilings, we recommend consulting installation with an expert. The manufacturer assumes no liability for incorrect installation, the use of improper anchors, or defects in the material to which the bracket is secured.



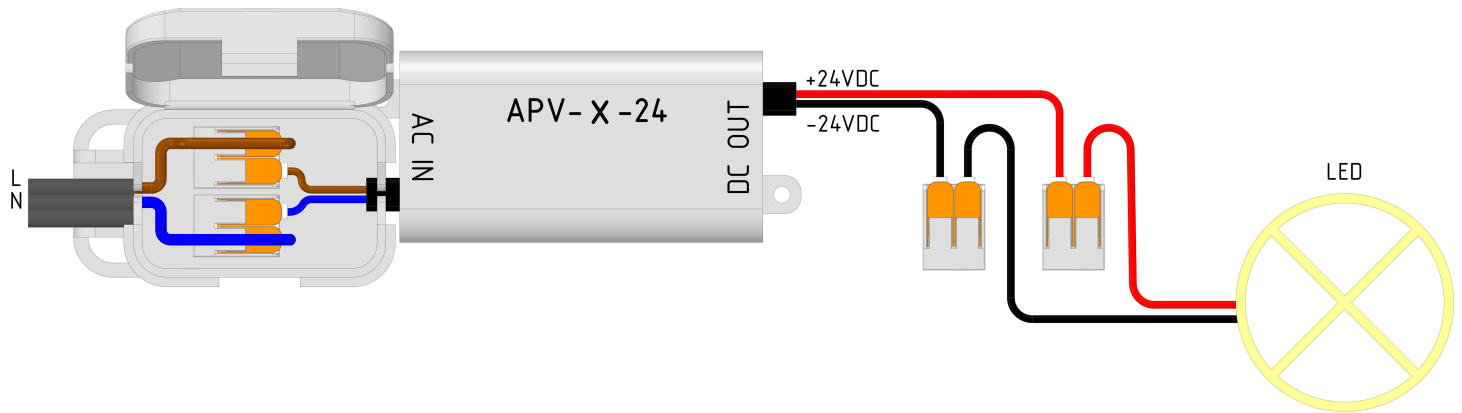
## 2. INSTALLING THE LIGHT

Pass the two suspension straps through the opening in the ceiling canopy. From inside the canopy, secure the straps with the strap adjuster and then adjust their length to set the angle of the light.



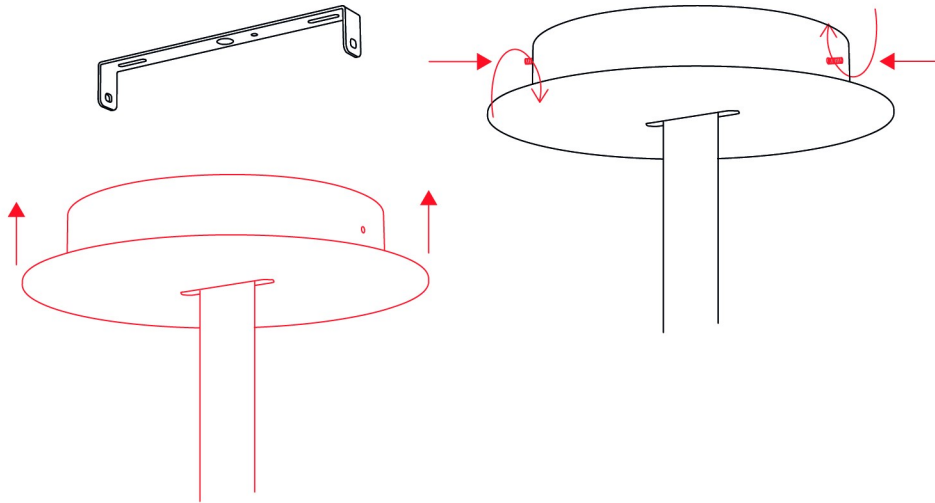
### 3. CONNECTING THE LIGHT TO THE BUILDING WIRING – KNOT

Connect the light to the building wiring according to the connection diagram.



#### 4. INSTALLING THE CEILING CANOPY

Use two hex screws and hex key to mount the canopy to ceiling holder.



## 5. SWITCHING ON THE LIGHT

Restore power at the main circuit panel and verify that the light works properly.

