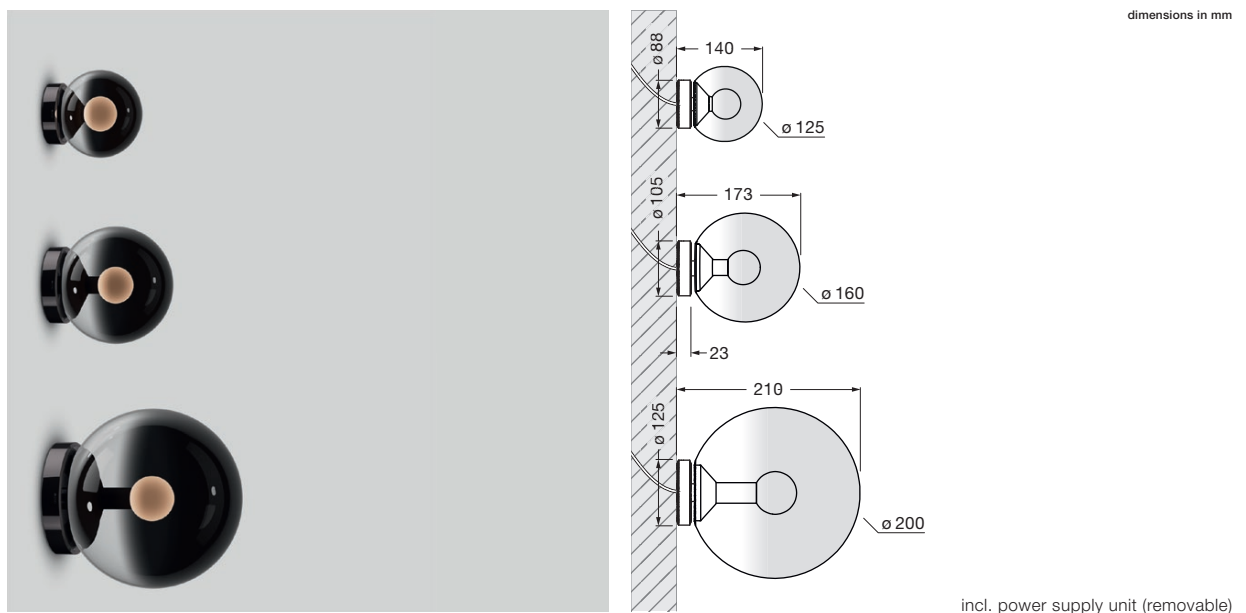


Luna scura up datasheet

LED wall luminaire with spherical head and indirect light aimed towards the wall optionally with a glass sphere diameter of 125/160/200mm. The innovative LED fireball technology creates a special lighting effect – indirect light towards the wall and atmospheric lights of the fireball within the glass sphere.

Version with integrated power supply unit for surface mounting, connection to 230V AC mains voltage. Glass cover and fireball removable for maintenance purposes, LED interchangeable. Controllable via Occhio air or alternatively dimmable with trailing-edge phase cut dimmer*. The color temperature can be adjusted continuously via Occhio air between 2700 and 4000 K.

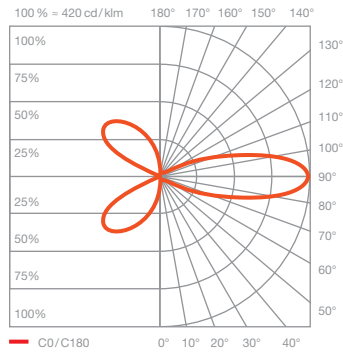


technical data Luna scura up

| | | |
|-------------------------|--|--|
| properties | material | aluminium, glass, PVD coated, steel, plastic |
| | weight | 125 = 0.6 kg / 160 = 0.8 kg / 200 = 1.1 kg |
| surface | head / body / base | dark chrome, phantom |
| Occhio »color tune« LED | average life time | > 50.000 hrs |
| | energy efficiency class (luminous efficiency) | G (12 lm / W) |
| | power | LED 9 W (incl. Occhio power supply unit 11 W, standby < 0.5 W) |
| | color rendering index | CRI Ra 95 |
| | color temperature (color consistency) | 2700–4000 K (2-step) |
| electricity | dimming | Occhio air (optional) or via trailing-edge phasecut dimmer* |
| | connection | 230 V AC |
| | power factor power supply (cos φ1) | 0.9 |
| | flicker / stroboscopic effect | < 1 (PstLM) / 0.4 (SVM) |
| | permitted operating conditions | max. 30°C for indoor use only |

*For a list of compatible dimmers, see www.occhio.com/dim_en, trailing-edge phasecut dimmer and Occhio air not combinable

Luna scura up lighting effects

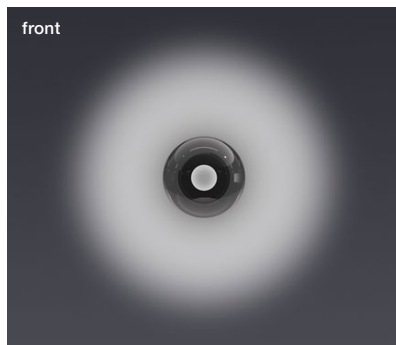


head mirrored wall

indirect light backwards,
atmospheric light in all directions

light source : Occhio Fireball technology

luminous flux : high color 9 W 130 lm

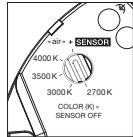


control options

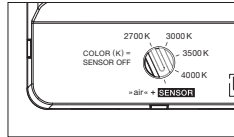
version (»color tune«)

Luna luminaires can be dimmed via »touchless control« (basso, sogno, sospeso and sospeso cloud) and Occhio air (standard for all Luna luminaires). Alternatively, dimming is possible via phase section (Occhio air can be deactivated via power supply, not for basso, sogno and sospeso cloud).

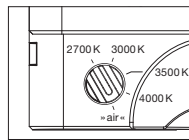
Occhio air / Phase cut-off dimming (switchable at power supply)



sospeso/piena/scura up



sospeso/piena/scura flat



parete

Occhio air
powered by
Casambi

Occhio air (standard)

Bluetooth control via Occhio air app or »air« controller (optional), control of individual luminaires, groups and scenes.

sospeso up/flat/pure

COLOR (K) = SENSOR OFF
adjustable color temperature (4 steps),
trailing-edge phase cut dimming possible

»air« + SENSOR
»air« + »touchless control« (Bluetooth and gesture control), control via »touchless control« and Occhio air app or »air« controller, switching, dimming, »color tune« (color temperature continuously adjustable), no external dimming possible, control and sensors can be deactivated via Occhio air app

sospeso cloud

Integrated Bluetooth control,
»air« + »touchless control« (Bluetooth and gesture control), control via »touchless control« and Occhio air app or »air« controller, switching, dimming, »color tune« (color temperature continuously adjustable), no external dimming possible, control and sensors can be deactivated via Occhio air app

basso/ sogno

Integrated Bluetooth control,
»air« + »touchless control« (Bluetooth and gesture control), control via »touchless control« and Occhio air app or »air« controller, switching, dimming, »color tune« (color temperature continuously adjustable), control and sensors can be deactivated via Occhio air app

parete

COLOR (K) = SENSOR OFF
adjustable color temperature (4 steps),
trailing-edge phase cut dimming possible

Occhio air

»air« (Bluetooth control), control via Occhio air app or »air« controller, switching, dimming, »color tune« (color temperature continuously adjustable), no external dimming possible

piena/ scura up/flat

COLOR (K) = SENSOR OFF
adjustable color temperature (4 steps),
trailing-edge phase cut dimming possible,
Occhio air deactivated

»air« + SENSOR (piena/scura)

»air« (Bluetooth control), control via Occhio air app or »air« controller, switching, dimming, »color tune« (color temperature continuously adjustable), no external dimming possible,