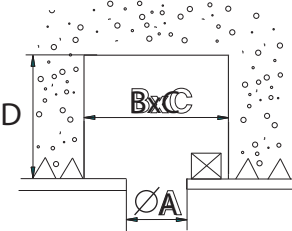
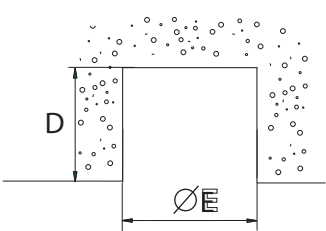
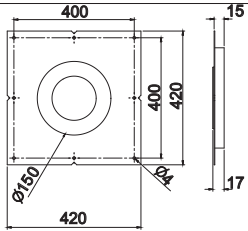
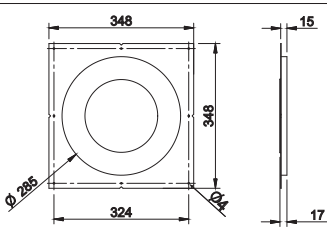
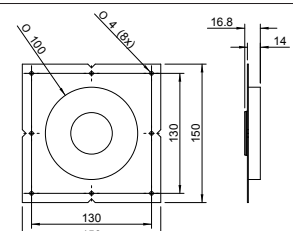
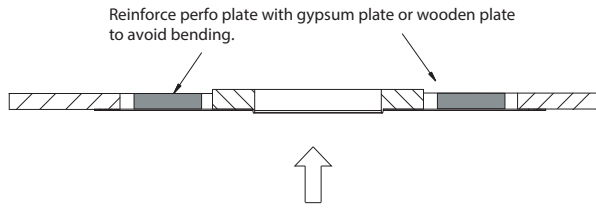
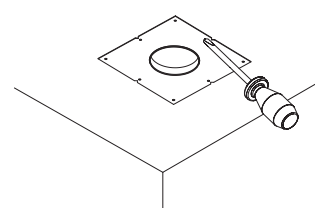
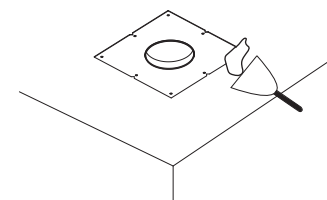


technics	In case of precast concrete panels, gear inclusive.	In case of finished concrete ceiling, gear exclusive.	Name	Reference	Lamp type	Ø A	B	C	D	Ø E
			Concrete plasterkit aplis 80	KR737702	QR-CBC51	152	320	320	200	170
					LED dir (Kr93773x)	152	300	300	157	250
					LED dir (Kr93793x)	152	344	344	120	380
					Fixed, WW (Kr93703x, Kr93733x)	152	260	260	100	250
					Audio	152	200	200	130	152
					Diapason 40/80/120 base	152	260	260	70*	110
					ATO 80 single and double	152	300	300	157	250
			Concrete plasterkit aplis 165	KR737712	QT12-ax	287	300	300	200	287
					QR-LP111/LED-LP111	287	300	300	230	287
					HIT-TC	287	300	300	230	287
		HIR-CE111	287	300	300	230	287			
		QT12-ax WW	287	300	300	175	287			
		HIT-TC WW	287	300	300	205	287			
		LED wallwasher	287	300	300	200	287			
		LED	287	300	300	200	287			
1 cut out	<p>** Mind that the driver dimensions WxH cannot exceed 67x29,5mm! the length of the driver determines D as it has to be pushed perpendicular through the plasterkit. Depth = length of the driver + 30mm</p>		Concrete plasterkit aplis 40	KR737602	LED dir, fixed, WW	110	110	110	80	110

2 dimensions	Aplis 80	Aplis 165	Aplis 40
			

3 installation	Put the plasterkit through the hole.	Fix the plasterkit with screws.	Fill around perimeter of plasterkit using suitable filler and plaster to hide screws and plasterkit.
			

4 installation	Minimum filler distance, spread out until zero.	For installing aplis 80 and 165, see the corresponding installation manual.
	