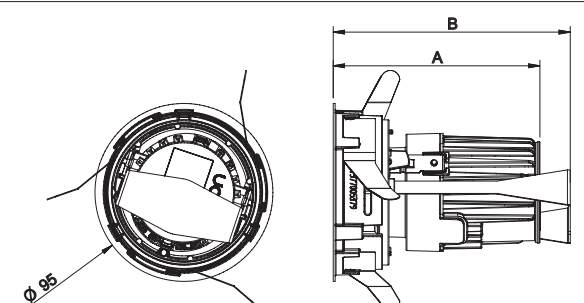
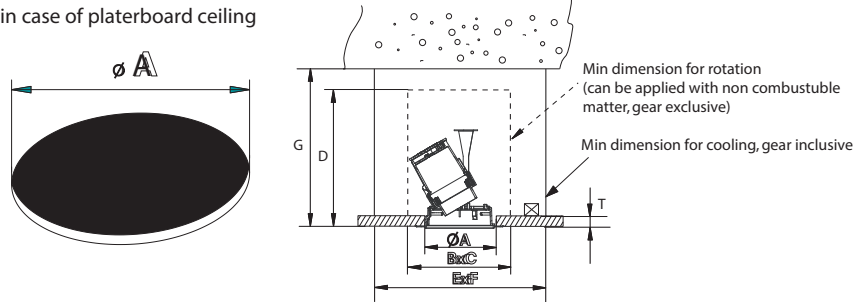
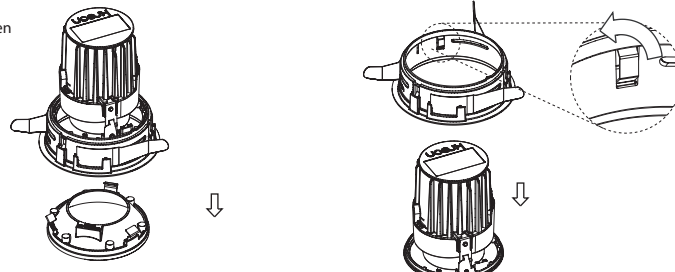
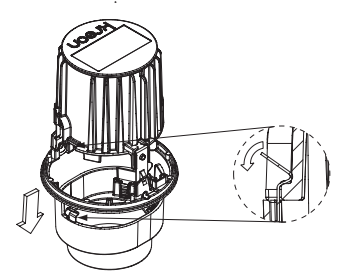
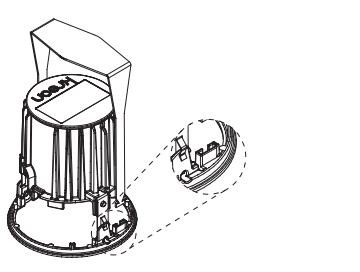
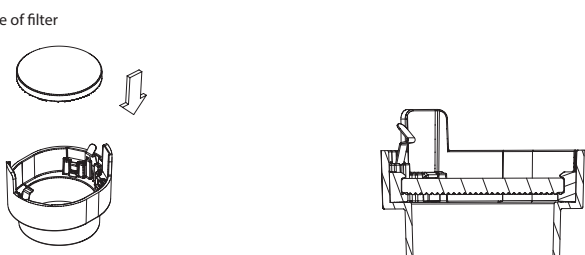
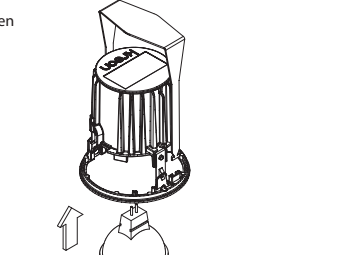
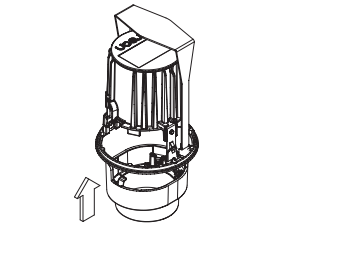


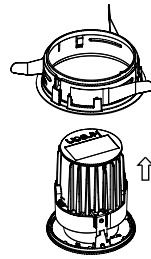
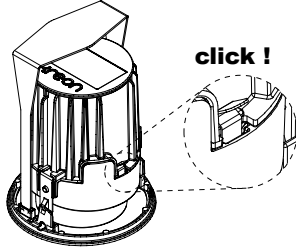
<p>technics</p>		<p>Name</p> <p>Aplis 80 single QR-CBC51</p> <p>Aplis 80 single LED 1300lm CRI83</p> <p>Aplis 80 single LED 965lm CRI98</p> <p>Aplis 80 directional LED</p>	<p>Reference</p> <p>KR93770x</p> <p>KR93773x-83xx</p> <p>KR93773x-98xx</p> <p>Kr93793x-xxxx</p>	<p>Voltage</p> <p>12V</p>	<p>Drive current</p> <p>700mA</p> <p>500mA</p> <p>700mA</p>	<p>A</p> <p>110</p> <p>127</p> <p>127</p> <p>115</p>	<p>B</p> <p>135</p> <p>127</p> <p>127</p> <p>115</p>	
<p>1 dimensions</p>	<p>in case of platerboard ceiling</p>  <p>Min dimension for rotation (can be applied with non combustible matter, gear exclusive)</p> <p>Min dimension for cooling, gear inclusive</p>	<p>Name</p> <p>Aplis 80 single QR-CBC51</p> <p>Aplis 80 single LED</p> <p>Aplis 80 directional LED</p> <p>Plasterboard thickness</p>	<p>Reference</p> <p>KR93770x</p> <p>KR93773x-xxxx</p> <p>KR93793x-xxxx</p>	<p>A</p> <p>Ø90</p> <p>Ø90</p> <p>Ø90</p>	<p>BxC</p> <p>170x170</p> <p>170x170</p> <p>Ø95</p>	<p>D<sub>min</sub></p> <p>130</p> <p>140</p> <p>115</p>	<p>ExF</p> <p>320x320</p> <p>300x300</p> <p>344x344</p>	<p>G<sub>min</sub></p> <p>200</p> <p>157</p> <p>120</p> <p>9-26</p>
<p>2 cut out</p>	<p>In case of halogen</p>  <p>Remove louvre</p> <p>Bend springs to remove directional part</p>	<p>Bend the springs to remove the filterholder.</p> 	<p>Slide the bracket in the base</p> 					
<p>3 installation</p>	<p>In case of filter</p>  <p>Optional: add extra filter to the filterholder.</p> <p>Maximum capacity= 1 filter.</p>	<p>In case of halogen</p>  <p>Add lamp.</p>	<p>Add filterholder.</p> 					
<p>4 installation</p>	<p>kreon nv</p>	<p>revision date: 11-01-2017</p> <p>KR8377001818</p>	<p>revision date: 11-01-2017</p> <p>KR8377001818</p>					

The luminaire must not under any circumstances be covered with heat insulating covers or similar materials.  
Cables must not touch the luminaire housing.  
The connection cable must be routed so that it does not touch the lamp when the luminaire is tilted.

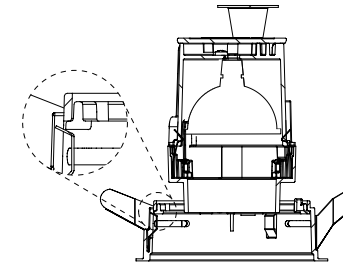
# kreon

technics

In case of halogen



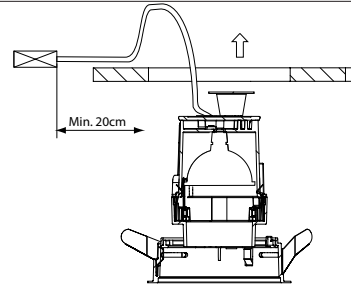
Insert directional part



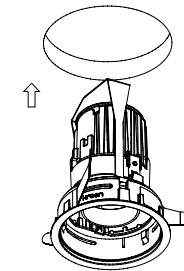
click !

5 dimensions

Please make sure that main voltage is disconnected before proceeding!



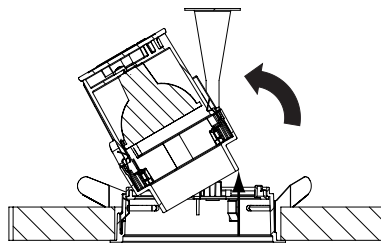
Min. 20cm



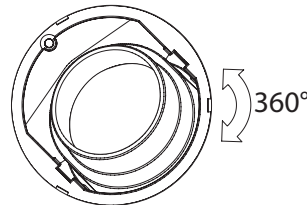
Fold the springs against the ring and rotate anti clockwise to insert into the ceiling.

6 installation

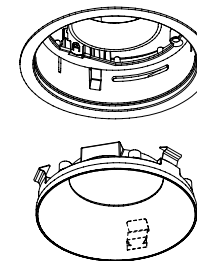
In case of transformer or driver connect wires  
Respect polarity!



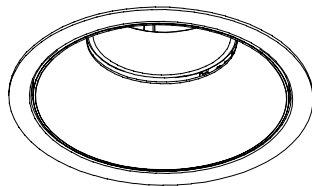
Push at the filterholder to rotate inner part manually.



Turn inner part manually.



Insert the louvre in the ring.



kreon nv

Industrieweg Noord 1152  
3660 Opglabbeek  
Belgium

Tel + 32 89 81 97 80  
Fax + 32 89 81 97 90

www.kreon.com  
mailbox@kreon.be

revision date: 11-01-2017  
KR8377001818