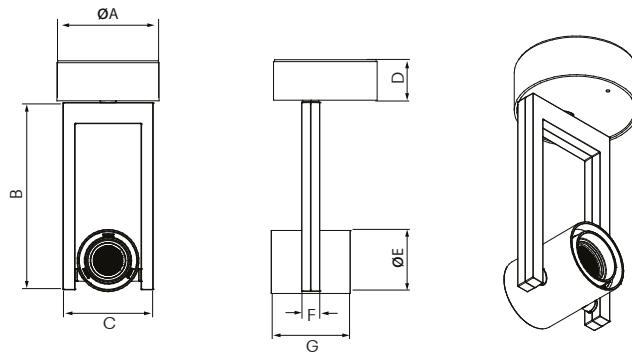


kreon installation manual

technics & dimensions

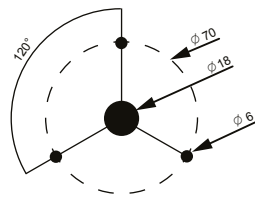


name	reference	current	ØA	B	C	D	ØE	F	G
diapason 40 surface mounted	KR90665x-xxx-xx-xx	1050mA	85	130	45	33	51	15	65
diapason 80 surface mounted	KR91665x-xxx-xx-xx	500mA	85	155	75	33	95	15	65
diapason 120 surface mounted	KR92665x-xxx-xx-xx	700mA	85	180	130	33	33	15	65

Please make sure the main voltage is disconnected before proceeding! ⚡

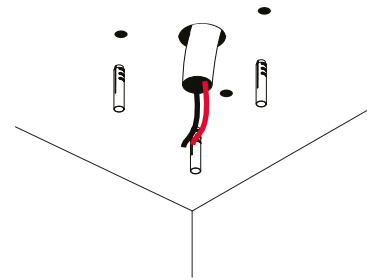
1. installation

In case of preinstalled LED driver on remote



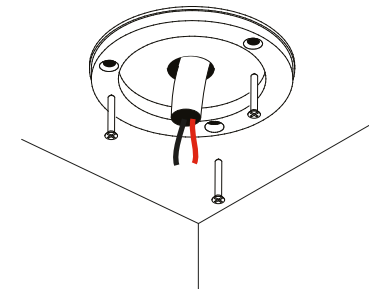
Drill three holes of Ø6mm (depth min. 30mm) for the plugs and one hole in the middle of ±18mm for the cable throughput

Use the installation part as a template



Insert the plugs in the holes

Pull the connection cables (which have been prewired to an LED driver) through



Fix the installation part with the 3 screws

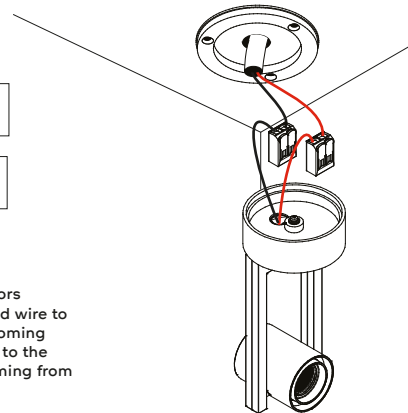
2. installation

mind the polarity of LED!
+ = red, - = black

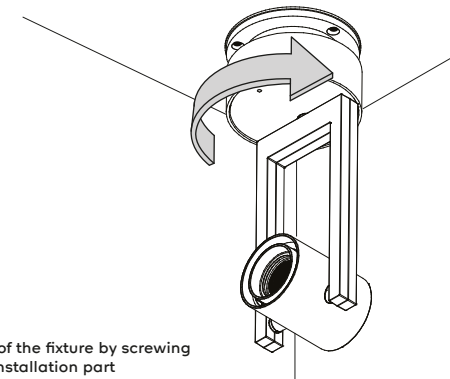
Do not connect product to a powered driver.

Connect the wires to the connectors included in the fixture. Add the red wire to the connector with the red wire coming from the LED, add the black wire to the connector with the black wire coming from the LED.

After the LED is connected the driver can be connected to the main power supply.



Fix the rest of the fixture by screwing it onto the installation part



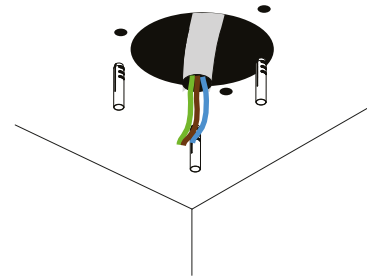
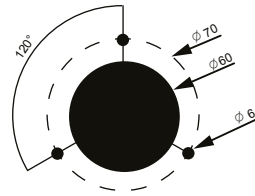
kreon installation manual

3. installation

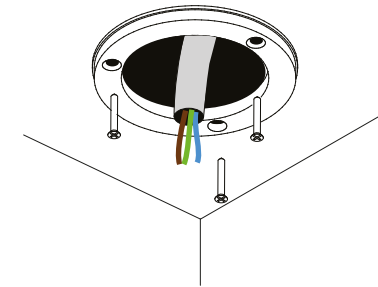
In case of installation with LED driver

Installation in wood/ concrete ceiling:
Drill three holes of $\varnothing 6$ mm (depth min. 30mm) for the plugs and one hole in the middle of ± 60 mm for the driver
Use the installation part as a template

Installation in gypsum ceiling:
Use a smaller driver so the hole can be smaller and the plugs have more material to grip into.

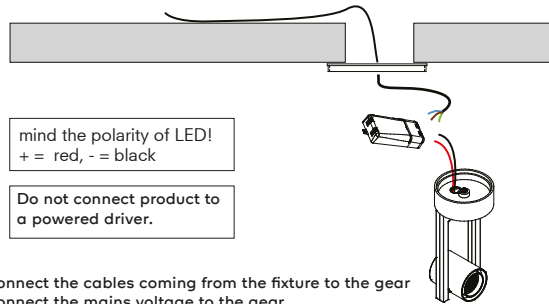


Insert the plugs in the holes and pull the 230v power cables through



Fix the installation part with the 3 screws

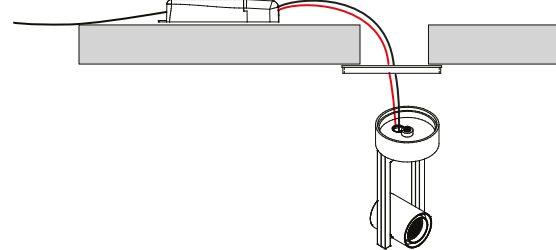
4. installation



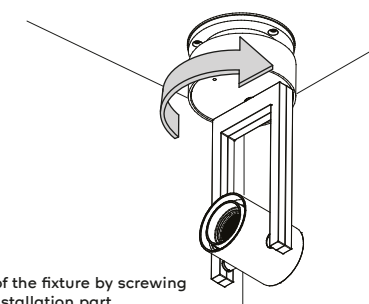
mind the polarity of LED!
+ = red, - = black

Do not connect product to a powered driver.

Connect the cables coming from the fixture to the gear
Connect the mains voltage to the gear

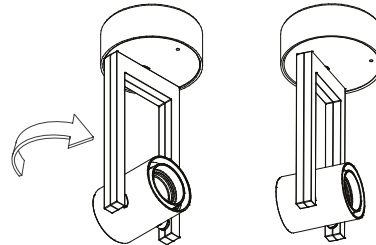


Push the gear through the installation ring onto the ceiling

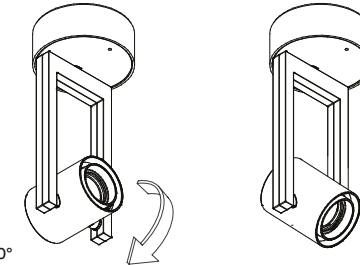


Fix the rest of the fixture by screwing it onto the installation part

5. installation



The Diapason can rotate max. 355°



The light can be inclined max. 90°

6. Pictures

