

Daphne Parete 35

design Tommaso Cimini, 1975

release 2019, December



Wall lamp made of steel with an adjustable, pivoting arm.
The head can rotate 360°.
Light Source: 5WLED, with an ON/OFF switch.

Finishing

Standard

● Black soft touch
cod. 05L01ST00

○ Matt white
cod. 05L02OP00

● Brushed nickel
cod. 05L4400

Special

● Matt red
cod. 05L03OP00

● Matt yellow
cod. 05L05OP00

● Metallic bronze
cod. 05L29MT00

All RAL coating and galvanic finishes available upon request

Light emission

- Light emission: diffuse
- Light direction: downlight
- Light source: led board
- Source flux: 530 lm
- Emitted flux: 426 lm
- Efficacy: 77 lm/W
- CCT: 3000K
- CRI index: 97
- Lifetime: >55000h L80 @ 25°C

Electrical Facts

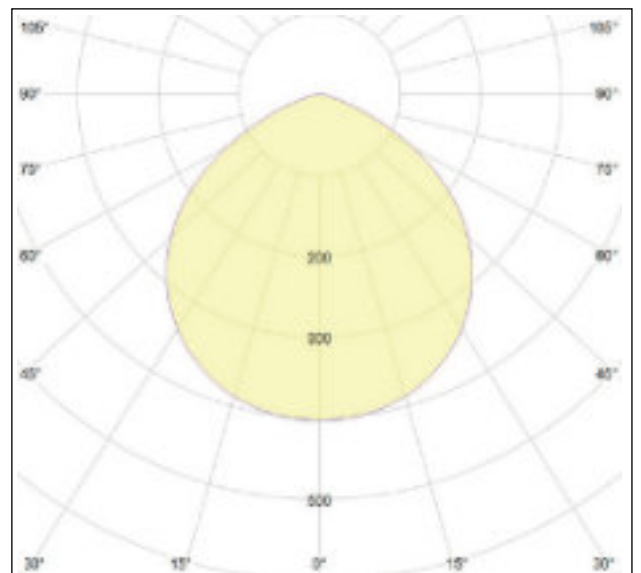
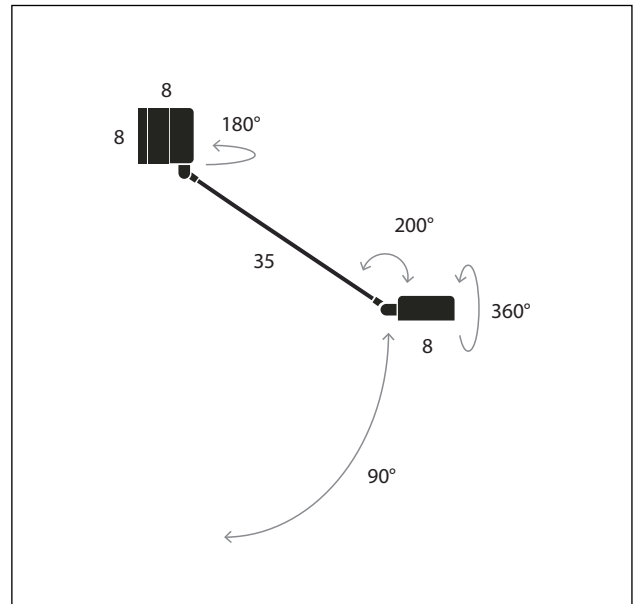
- Source power: 5W
- Power absorption: 5,5W
- Stand-by absorption: < 0,3 W
- Grid voltage: 100-240V AC/50-60 Hz
- Power supply: internal AC-DC converter provided
- Dimmability: not dimmable
- Energy class: A++

Technical data

- Environment: indoor
- Placement: wall
- Net weight: 0,5 Kg
- Certifications: CE
- Suggested ambient T: 25°C
- Maximum ambient T: 40°C
- Insulation class: II
- Protection class: IP20

Packaging
cardboard box
44 x 17 x 11 (cm)
0,008 m³

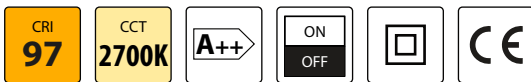
Gross weight
0,7 Kg



Daphne Parete 35

design Tommaso Cimini, 1975

release 2019, December



Wall lamp made of steel with an adjustable, pivoting arm.
The head can rotate 360°.
Light Source: 5WLED, with an ON/OFF switch.

Finishing

Standard

● Black soft touch
cod. 05L01STK27

○ Matt white
cod. 05L02OPK27

● Brushed nickel
cod. 05L44K27

Special

● Matt red
cod. 05L03OPK27

● Matt yellow
cod. 05L05OPK27

● Metallic bronze
cod. 05L29MTK27

All RAL coating and galvanic finishes available upon request

Light emission

- Light emission: diffuse
- Light direction: downlight
- Light source: led board
- Source flux: 513 lm
- Emitted flux: 410 lm
- Efficacy: 74,5 lm/W
- CCT: 2700K
- CRI index: 97
- Lifetime: >55000h L80 @ 25°C

Electrical Facts

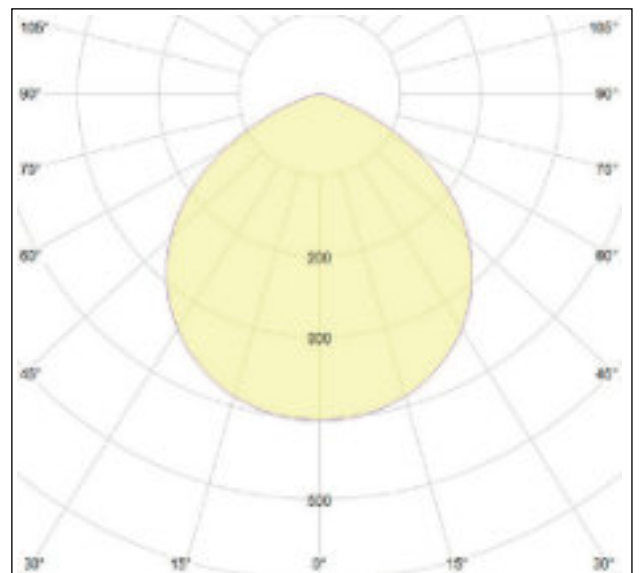
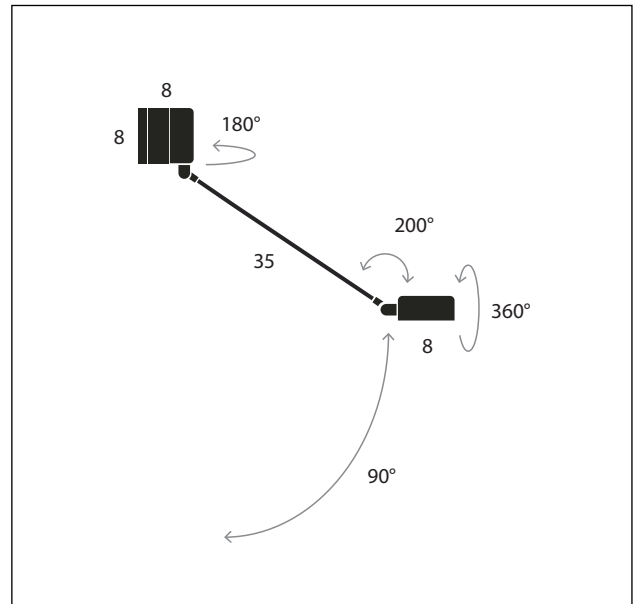
- Source power: 5W
- Power absorption: 5,5W
- Stand-by absorption: < 0,3 W
- Grid voltage: 100-240V AC/50-60 Hz
- Power supply: internal AC-DC converter provided
- Dimmability: not dimmable
- Energy class: A++

Technical data

- Environment: indoor
- Placement: wall
- Net weight: 0,5 Kg
- Certifications: CE
- Suggested ambient T: 25°C
- Maximum ambient T: 40°C
- Insulation class: II
- Protection class: IP20

Packaging
cardboard box
44 x 17 x 11 (cm)
0,008 m³

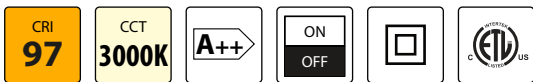
Gross weight
0,7 Kg



Daphne Parete 35

design Tommaso Cimini, 1975



release 2019, December



Wall lamp made of steel with an adjustable, pivoting arm.
The head can rotate 360°.
Light Source: 5WLED, with an ON/OFF switch.

Finishing

Standard

-  Black soft touch
cod. 05L01ST00ETL
-  Matt white
cod. 05L02OP00ETL
-  Brushed nickel
cod. 05L4400ETL

Special

-  Matt red
cod. 05L03OP00ETL
-  Matt yellow
cod. 05L05OP00ETL
-  Metallic bronze
cod. 05L29MT00ETL

All RAL coating and galvanic finishes available upon request

Light emission

- Light emission: diffuse
- Light direction: downlight
- Light source: led board
- Source flux: 530 lm
- Emitted flux: 426 lm
- Efficacy: 77 lm/W
- CCT: 3000K
- CRI index: 97
- Lifetime: >55000h L80 @ 25°C

Electrical Facts

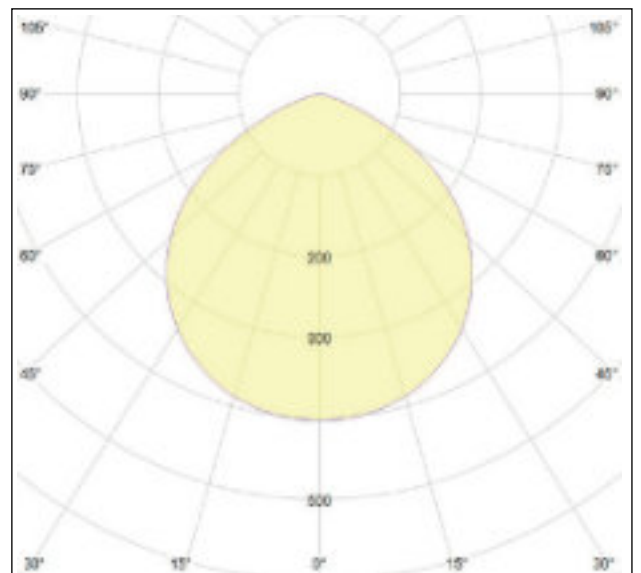
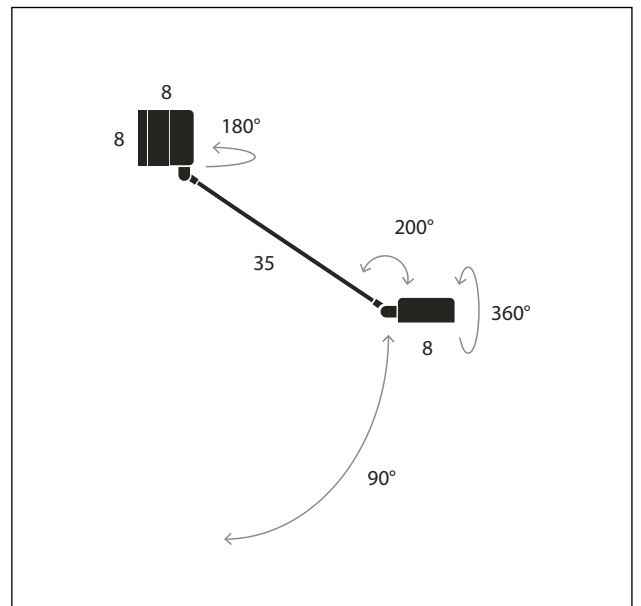
- Source power: 5W
- Power absorption: 5,5W
- Stand-by absorption: < 0,3 W
- Grid voltage: 100-240V AC/50-60 Hz
- Power supply: internal AC-DC converter provided
- Dimmability: not dimmable
- Energy class: A++

Technical data

- Environment: indoor
- Placement: wall
- Net weight: 0,5 Kg
- Certifications: ETL
- Suggested ambient T: 25°C
- Maximum ambient T: 40°C
- Insulation class: II
- Protection class: IP20

Packaging
cardboard box
44 x 17 x 11 (cm)
0,008 m³

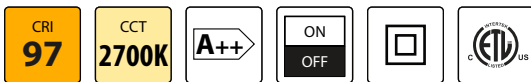
Gross weight
0,7 Kg



Daphne Parete 35

design Tommaso Cimini, 1975

release 2019, December



Wall lamp made of steel with an adjustable, pivoting arm.
The head can rotate 360°.
Light Source: 5WLED, with an ON/OFF switch.

Finishing

Standard

● Black soft touch
cod. 05L01STK27ETL

○ Matt white
cod. 05L02OPK27ETL

● Brushed nickel
cod. 05L44K27ETL

Special

● Matt red
cod. 05L03OPK27ETL

● Matt yellow
cod. 05L05OPK27ETL

● Metallic bronze
cod. 05L29MTK27ETL

All RAL coating and galvanic finishes available upon request

Light emission

- Light emission: diffuse
- Light direction: downlight
- Light source: led board
- Source flux: 513 lm
- Emitted flux: 410 lm
- Efficacy: 74,5 lm/W
- CCT: 2700K
- CRI index: 97
- Lifetime: >55000h L80 @ 25°C

Electrical Facts

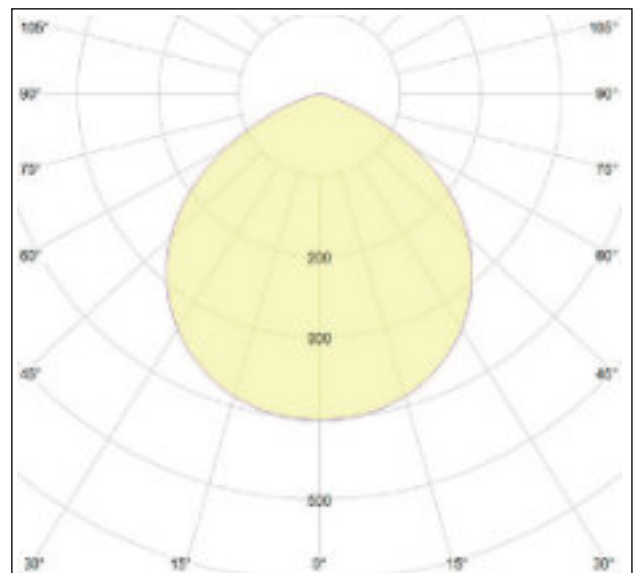
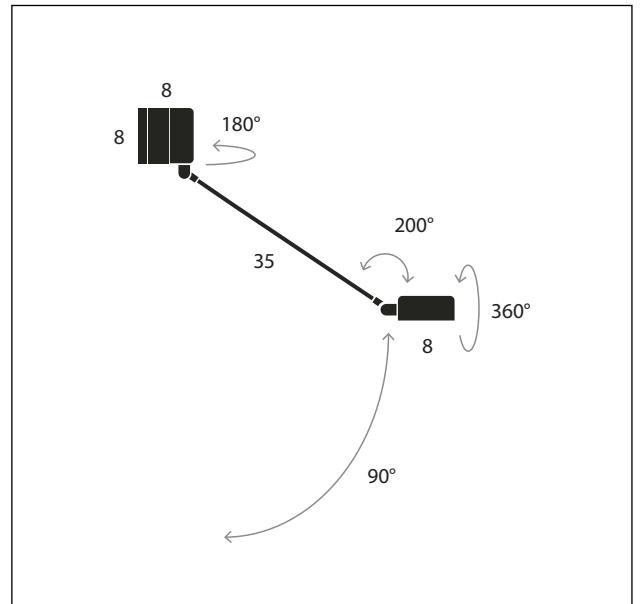
- Source power: 5W
- Power absorption: 5,5W
- Stand-by absorption: < 0,3 W
- Grid voltage: 100-240V AC/50-60 Hz
- Power supply: internal AC-DC converter provided
- Dimmability: not dimmable
- Energy class: A++

Technical data

- Environment: indoor
- Placement: wall
- Net weight: 0,5 Kg
- Certifications: ETL
- Suggested ambient T: 25°C
- Maximum ambient T: 40°C
- Insulation class: II
- Protection class: IP20

Packaging
cardboard box
44 x 17 x 11 (cm)
0,008 m³

Gross weight
0,7 Kg



Daphne Parete 20

design Tommaso Cimini, 1975

release 2019, December



Wall lamp made of steel with an adjustable, pivoting arm.
The head can rotate 360°.
Light Source: 5WLED, with an ON/OFF switch.

Finishing

Standard

● Black soft touch
cod. 06L01ST00

○ Matt white
cod. 06L02OP00

● Brushed nickel
cod. 06L4400

Special

● Matt red
cod. 06L03OP00

● Matt yellow
cod. 06L05OP00

● Metallic bronze
cod. 06L29MT00

All RAL coating and galvanic finishes available upon request

Light emission

- Light emission: diffuse
- Light direction: downlight
- Light source: led board
- Source flux: 530 lm
- Emitted flux: 426 lm
- Efficacy: 77 lm/W
- CCT: 3000K
- CRI index: 97
- Lifetime: >55000h L80 @ 25°C

Electrical Facts

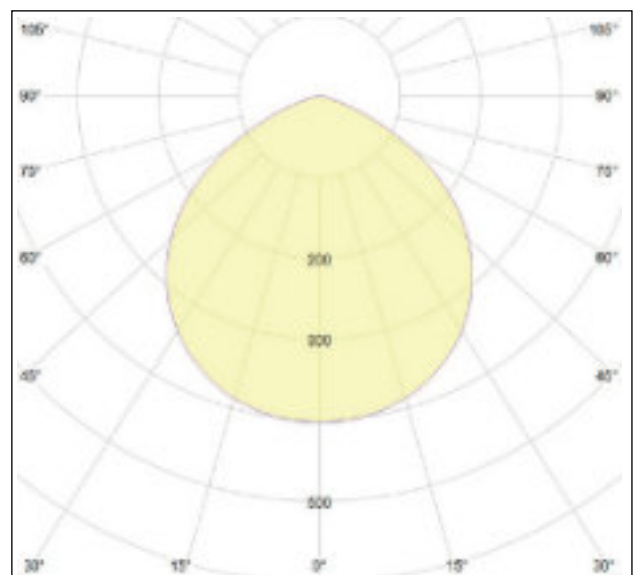
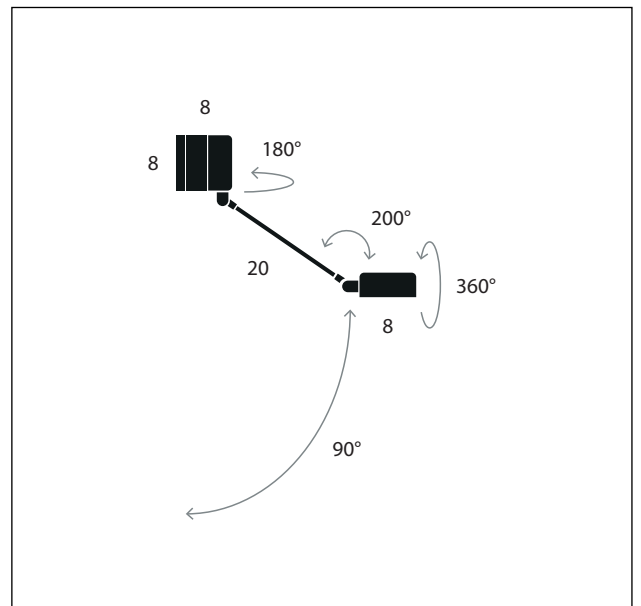
- Source power: 5W
- Power absorption: 5,5W
- Stand-by absorption: < 0,3 W
- Grid voltage: 100-240V AC/50-60 Hz
- Power supply: internal AC-DC converter provided
- Dimmability: not dimmable
- Energy class: A++

Technical data

- Environment: indoor
- Placement: wall
- Net weight: 0,5 Kg
- Certifications: CE
- Suggested ambient T: 25°C
- Maximum ambient T: 40°C
- Insulation class: II
- Protection class: IP20

Packaging
cardboard box
44 x 17 x 11 (cm)
0,008 m³

Gross weight
0,7 Kg



Daphine Parete 20

design Tommaso Cimini, 1975

release 2019, December



Wall lamp made of steel with an adjustable, pivoting arm.
The head can rotate 360°.
Light Source: 5WLED, with an ON/OFF switch.

Finishing

Standard

● Black soft touch
cod. 06L01STK27

○ Matt white
cod. 06L02OPK27

● Brushed nickel
cod. 06L44K27

Special

● Matt red
cod. 06L03OPK27

● Matt yellow
cod. 06L05OPK27

● Metallic bronze
cod. 06L29MTK27

All RAL coating and galvanic finishes available upon request

Light emission

- Light emission: diffuse
- Light direction: downlight
- Light source: led board
- Source flux: 513 lm
- Emitted flux: 410 lm
- Efficacy: 74,5 lm/W
- CCT: 2700K
- CRI index: 97
- Lifetime: >55000h L80 @ 25°C

Electrical Facts

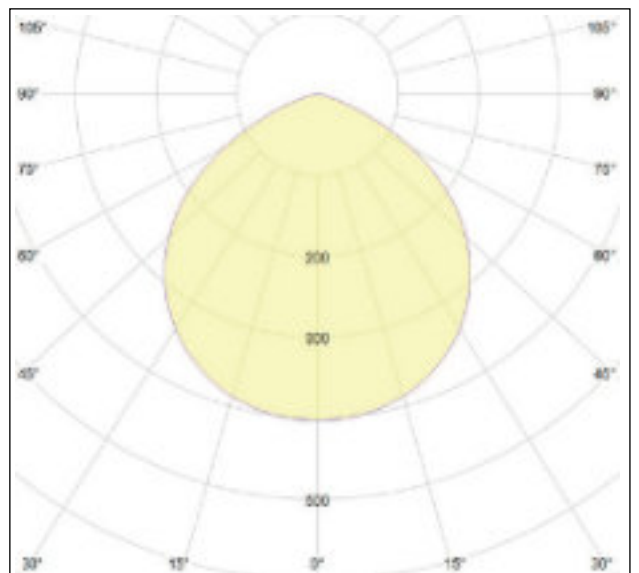
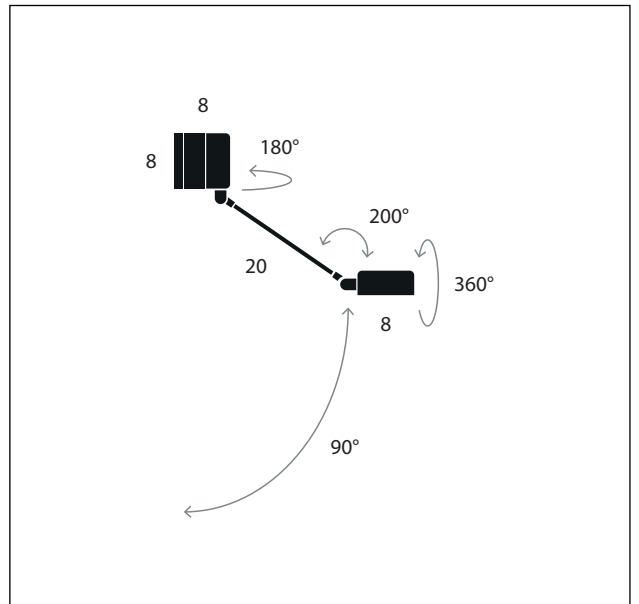
- Source power: 5W
- Power absorption: 5,5W
- Stand-by absorption: < 0,3 W
- Grid voltage: 100-240V AC/50-60 Hz
- Power supply: internal AC-DC converter provided
- Dimmability: not dimmable
- Energy class: A++

Technical data

- Environment: indoor
- Placement: wall
- Net weight: 0,5 Kg
- Certifications: CE
- Suggested ambient T: 25°C
- Maximum ambient T: 40°C
- Insulation class: II
- Protection class: IP20

Packaging
cardboard box
44 x 17 x 11 (cm)
0,008 m³

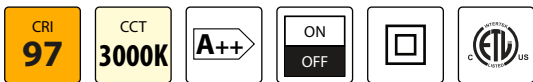
Gross weight
0,7 Kg



Daphine Parete 20

design Tommaso Cimini, 1975

release 2019, December



Wall lamp made of steel with an adjustable, pivoting arm.
The head can rotate 360°.
Light Source: 5WLED, with an ON/OFF switch.

Finishing

Standard

-  Black soft touch
cod. 06L01ST00ETL
-  Matt white
cod. 06L02OP00ETL
-  Brushed nickel
cod. 06L4400ETL

Special

-  Matt red
cod. 06L03OP00ETL
-  Matt yellow
cod. 06L05OP00ETL
-  Metallic bronze
cod. 06L29MT00ETL

All RAL coating and galvanic finishes available upon request

Light emission

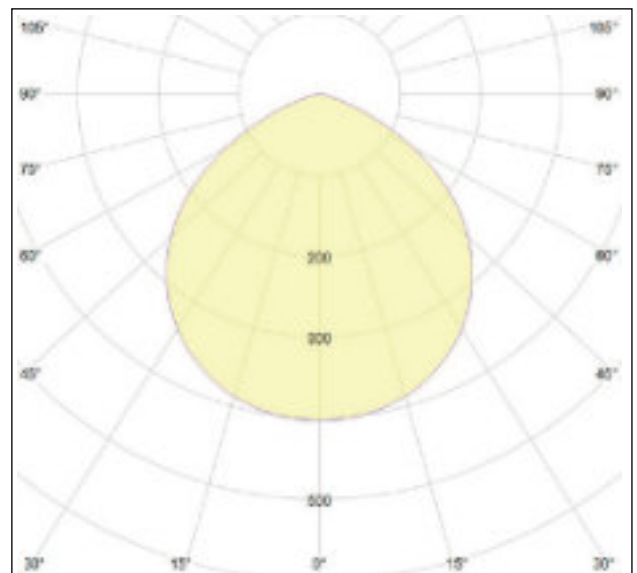
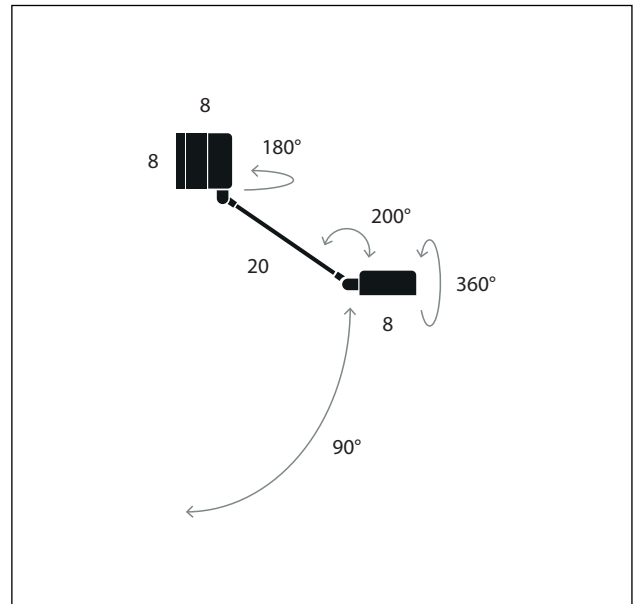
- Light emission: diffuse
- Light direction: downlight
- Light source: led board
- Source flux: 530 lm
- Emitted flux: 426 lm
- Efficacy: 77 lm/W
- CCT: 3000K
- CRI index: 97
- Lifetime: >55000h L80 @ 25°C

Electrical Facts

- Source power: 5W
- Power absorption: 5,5W
- Stand-by absorption: < 0,3 W
- Grid voltage: 100-240V AC/50-60 Hz
- Power supply: internal AC-DC converter provided
- Dimmability: not dimmable
- Energy class: A++

Technical data

- Environment: indoor
- Placement: wall
- Net weight: 0,5 Kg
- Certifications: ETL
- Suggested ambient T: 25°C
- Maximum ambient T: 40°C
- Insulation class: II
- Protection class: IP20



Packaging
cardboard box
44 x 17 x 11 (cm)
0,008 m³

Gross weight
0,7 Kg

Daphne Parete 20

design Tommaso Cimini, 1975

release 2019, December



Wall lamp made of steel with an adjustable, pivoting arm.
The head can rotate 360°.
Light Source: 5WLED, with an ON/OFF switch.

Finishing

Standard

● Black soft touch
cod. 06L01STK27ETL

○ Matt white
cod. 06L02OPK27ETL

● Brushed nickel
cod. 06L44K27ETL

Special

● Matt red
cod. 06L03OPK27ETL

● Matt yellow
cod. 06L05OPK27ETL

● Metallic bronze
cod. 06L29MTK27ETL

All RAL coating and galvanic finishes available upon request

Light emission

- Light emission: diffuse
- Light direction: downlight
- Light source: led board
- Source flux: 513 lm
- Emitted flux: 410 lm
- Efficacy: 74,5 lm/W
- CCT: 2700K
- CRI index: 97
- Lifetime: >55000h L80 @ 25°C

Electrical Facts

- Source power: 5W
- Power absorption: 5,5W
- Stand-by absorption: < 0,3 W
- Grid voltage: 100-240V AC/50-60 Hz
- Power supply: internal AC-DC converter provided
- Dimmability: not dimmable
- Energy class: A++

Technical data

- Environment: indoor
- Placement: wall
- Net weight: 0,5 Kg
- Certifications: ETL
- Suggested ambient T: 25°C
- Maximum ambient T: 40°C
- Insulation class: II
- Protection class: IP20

Packaging
cardboard box
44 x 17 x 11 (cm)
0,008 m³

Gross weight
0,7 Kg

