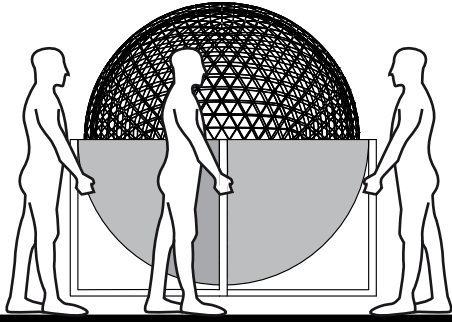


# m o o o i

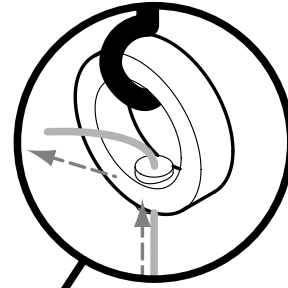
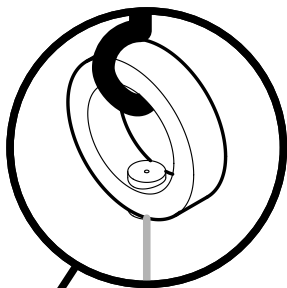
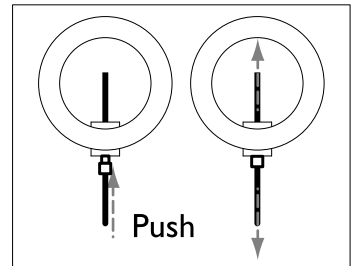
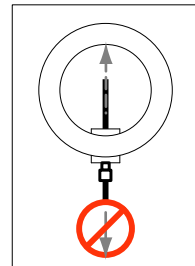
RAIMOND I63, I27 - I-10V DIMMABLE

**1**

**NOTICE: FRAGILE, ALWAYS MOVE THE LAMP IN THE ORIGINAL PACKAGING!**



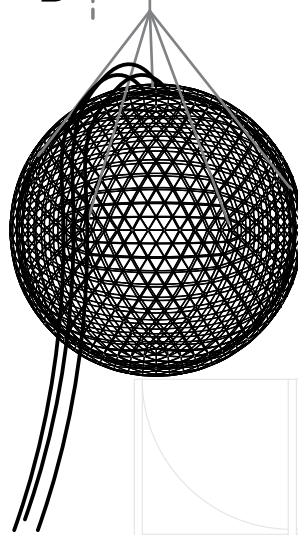
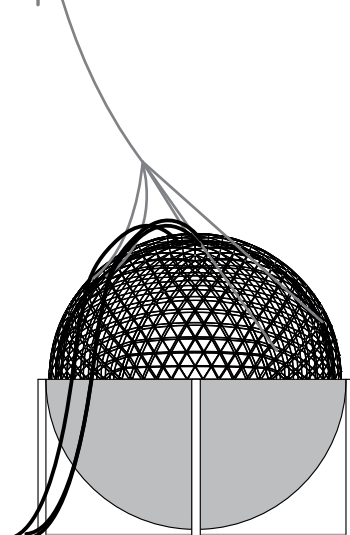
**2**



A

B

MINIMUM DISTANCE TO CEILING: 0,8 m



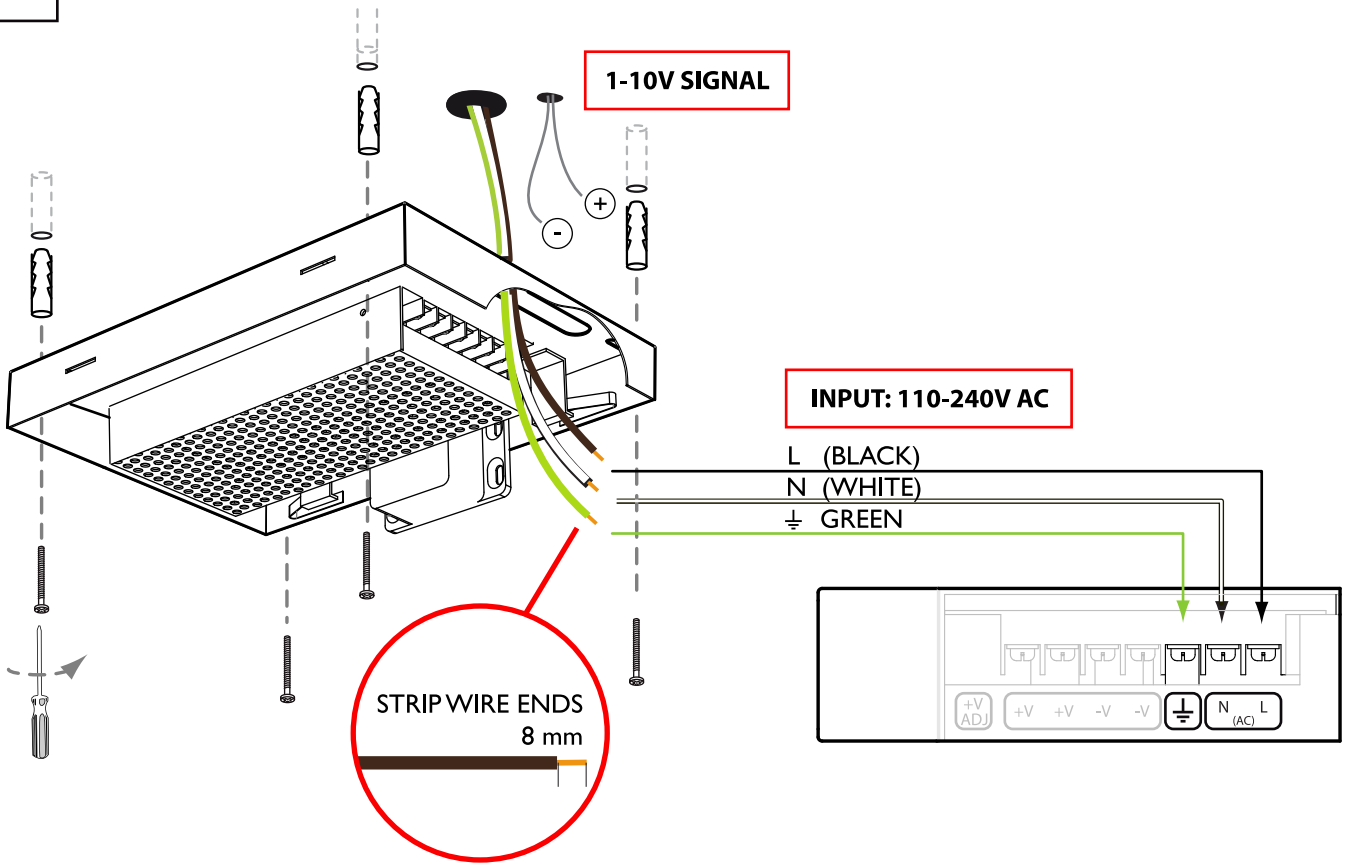
C

# m o o o i

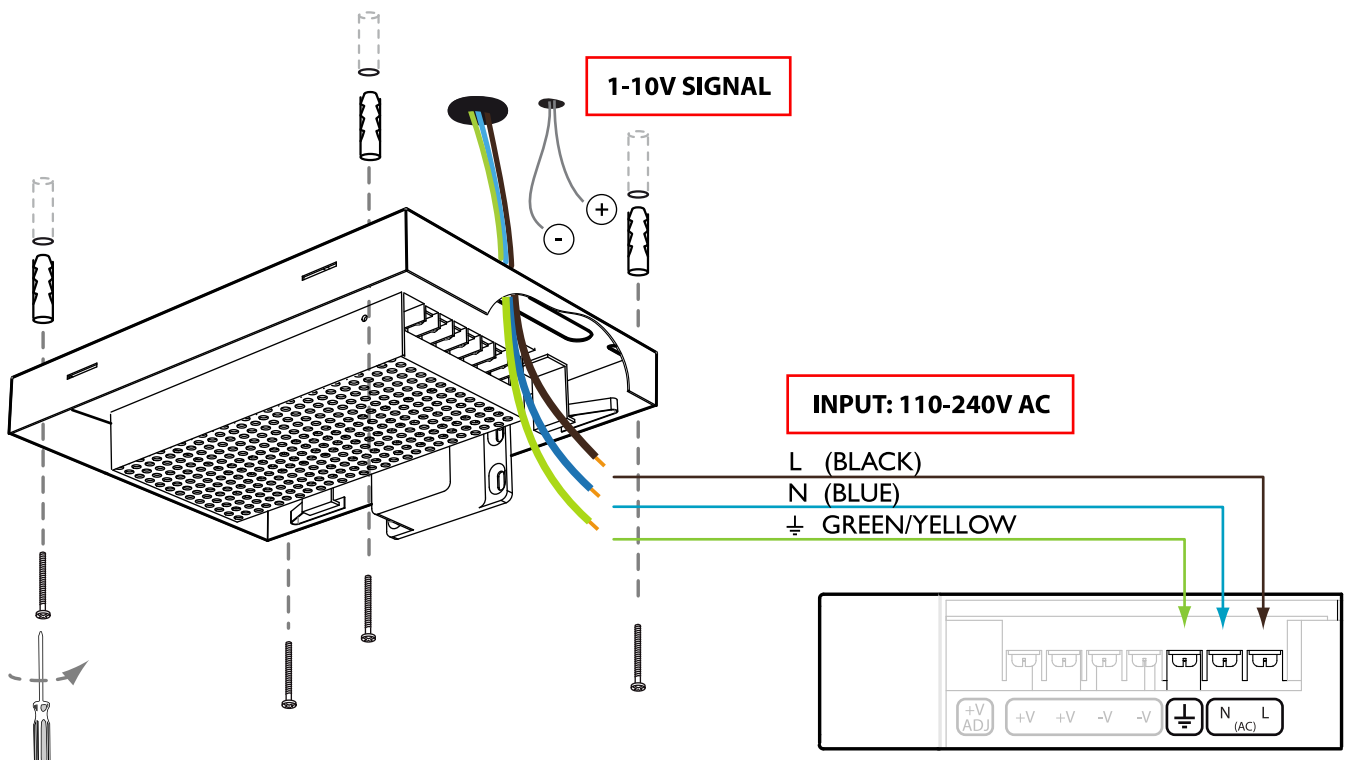
## RAIMOND I63, I27 - I-10V DIMMABLE

3

FOR US:



UNIVERSAL:



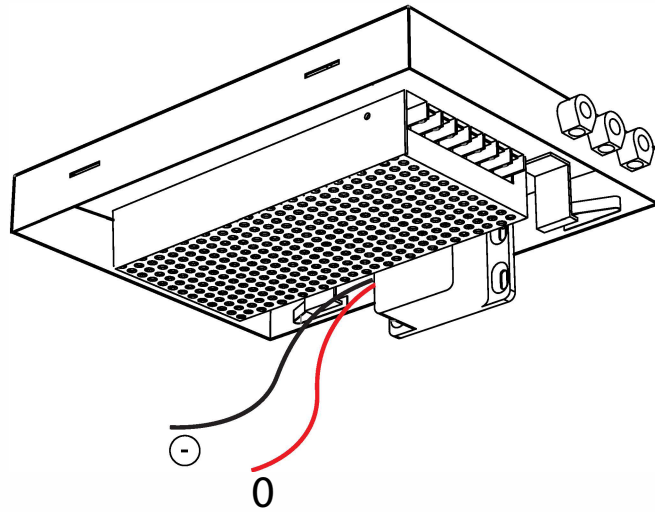
# m o o o i

RAIMOND I63, I27 - 1-10V DIMMABLE

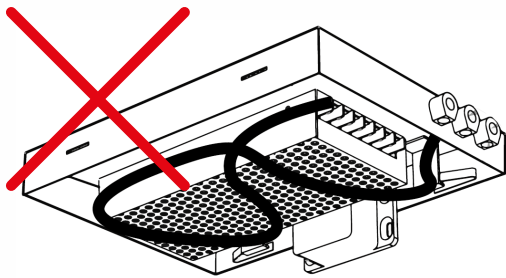
4

INPUT: 1-10V  
CONTROLLER SIGNAL

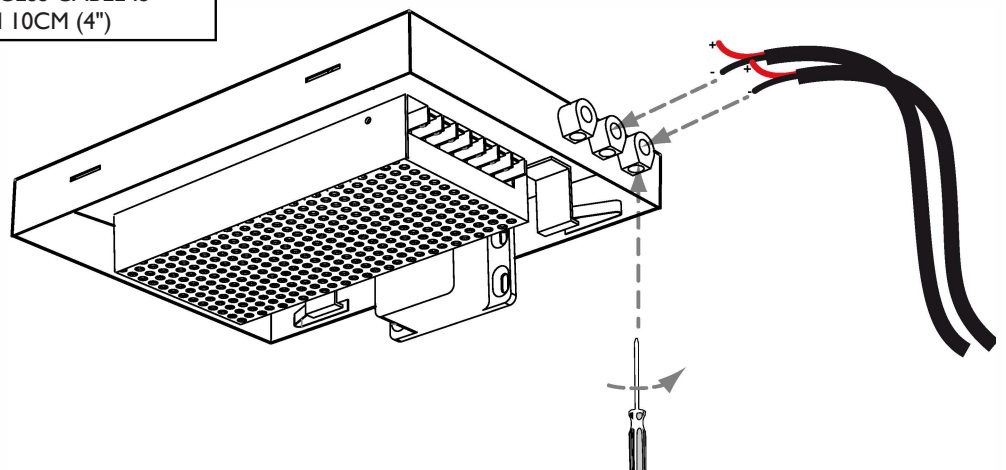
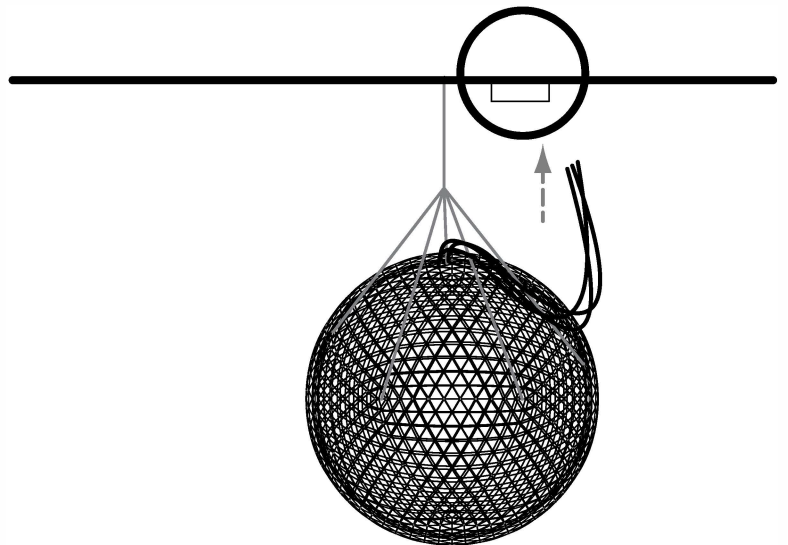
RE D = +  
BLACK = -



5



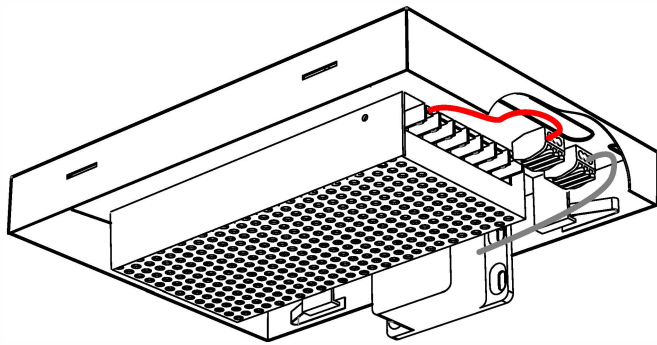
**IMPORTANT NOTE**  
MAKE SURE THE EXCESS CABLE IS  
SHORTER THAN 10CM (4")



# m o o o i

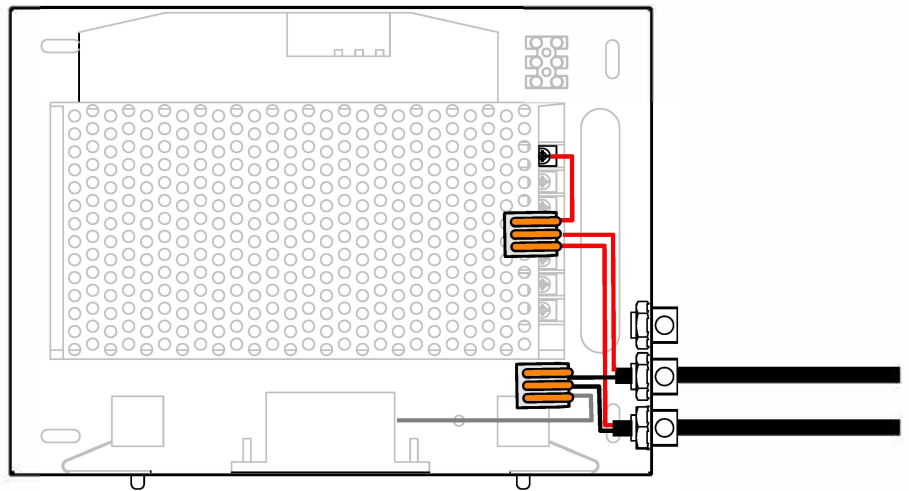
RAIMOND I63, I27 - 1-10V DIMMABLE

6

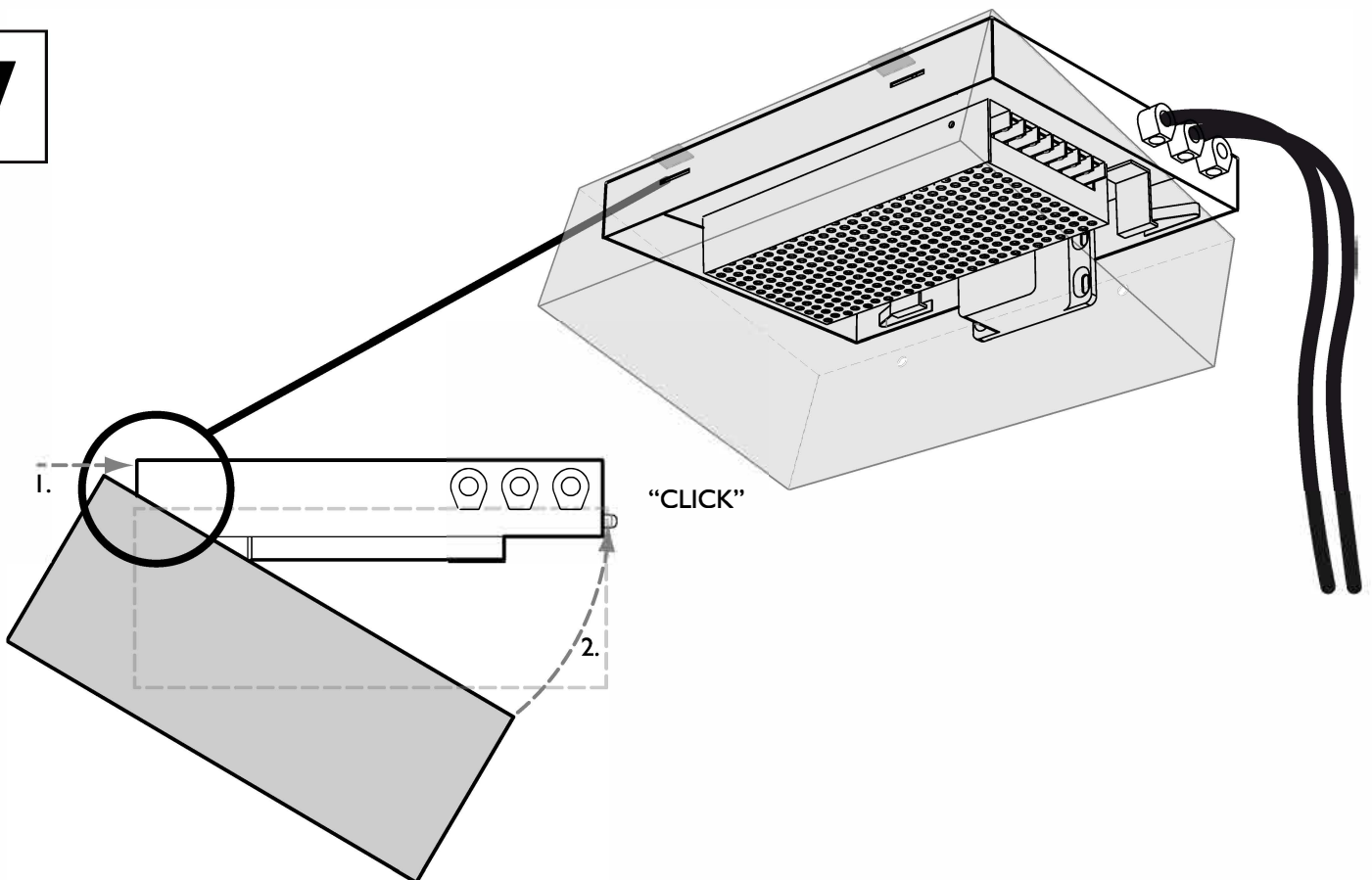


**OUTPUT: 5V DC**

**RED = +  
GREY = -**



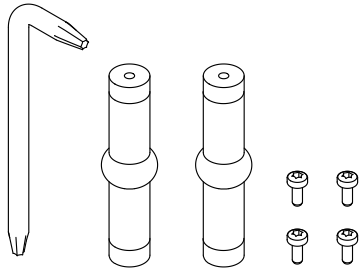
7



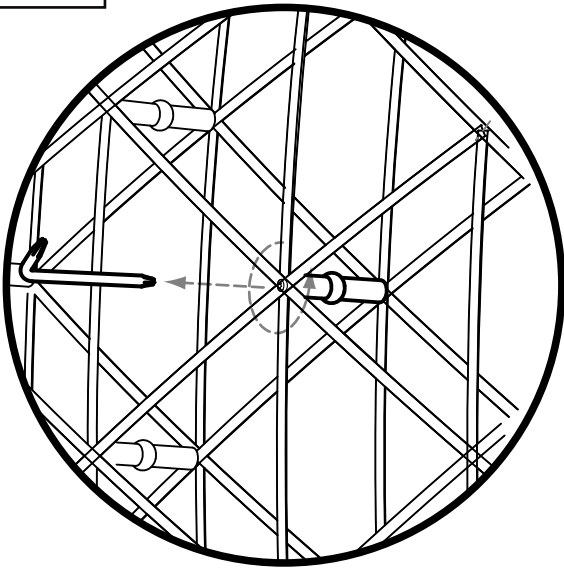
# m o o o i

RAIMOND 163, 127 - 1-10V DIMMABLE

## REPLACE LED: SPARE PARTS

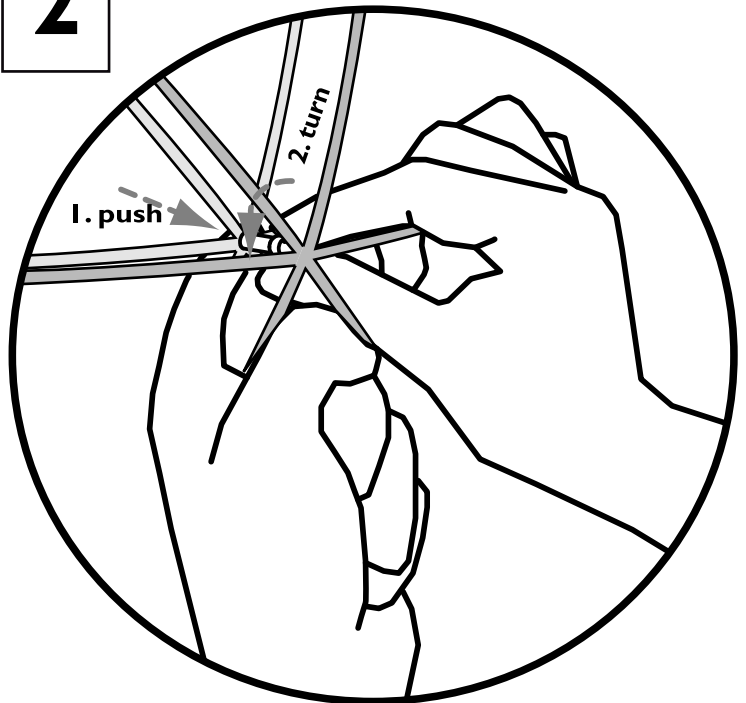


**1**

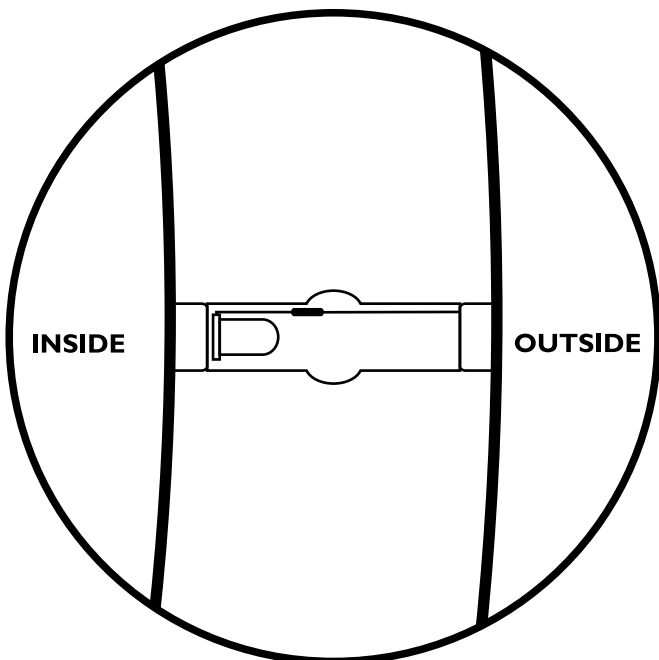


**2**

**NOTICE: EDGES CAN BE SHARP!**



## POSITION OF LED



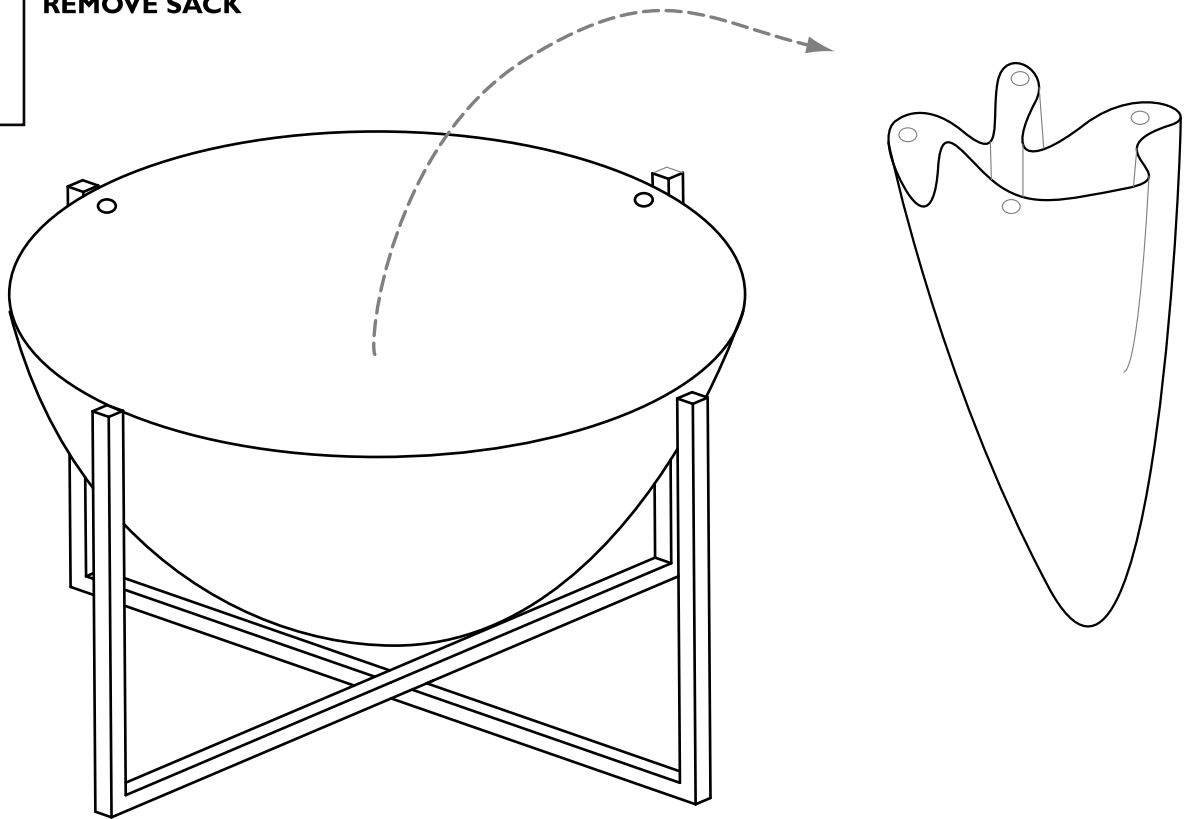
REPLACE LED BY REPEATING STEP 1 AND 2  
IN REVERSED ORDER

# moooi

RAIMOND 163, 127 - 1-10V DIMMABLE

**1**

REMOVE SACK



**2**

FOLD UP FRAME

