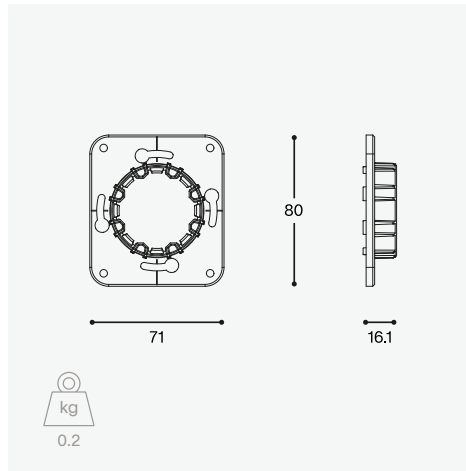


# backfit holder



## tech specs

kit size	h 80 w 71 d 16.1
location	indoor
weight	0.2 kg
compatibility	rond 2.0 retrofit / easyfit modules

## order number

8800 - 2016	backfit holder
-------------	----------------

## mounting dimensions

installation hole	Ø48
panel thickness	19 mm