

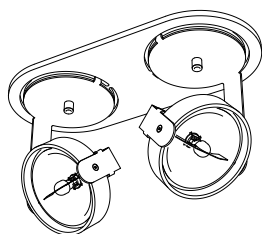


BIG BANG 2

tossB

PRODUCT INFORMATION

BIG BANG 2 12V



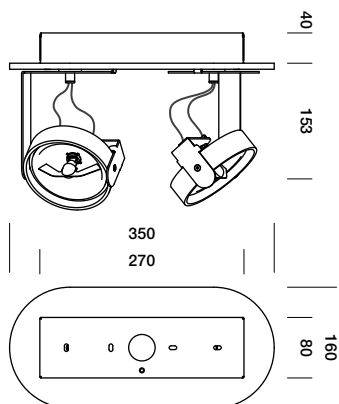
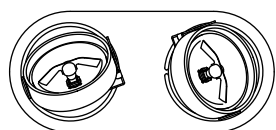
| | |
|-----------|--------------|
| LAMP TYPE | RETROFIT LED |
| FITTING | GU5.3 |
| WATTAGE | 10W |
| VOLTAGE | 12V |
| GEAR | NOT INCLUDED |
| CLASS | 1 |

ORDER CODE H15

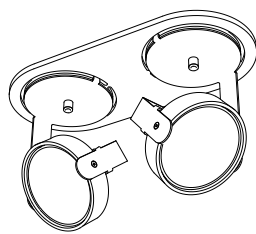
| | |
|-----------|----------|
| ALUMINIUM | T39C2HAB |
| BLACK | T39C2HZL |
| WHITE | T39C2HWL |

ORDER CODE H40

| | |
|-----------|----------|
| ALUMINIUM | T39C3HAB |
| BLACK | T39C3HZL |
| WHITE | T39C3HWL |



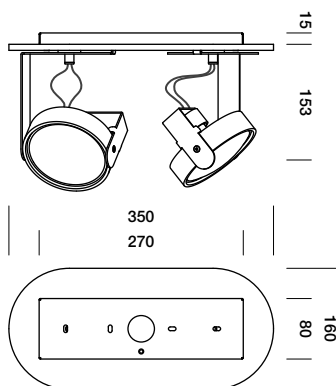
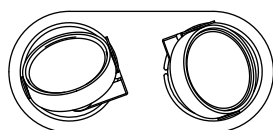
BIG BANG 2 230V



| | |
|-----------|--------------|
| LAMP TYPE | RETROFIT LED |
| FITTING | GU10 |
| WATTAGE | 10W |
| VOLTAGE | 230V |
| GEAR | - |
| CLASS | 1 |

ORDER CODE

| | |
|-----------|----------|
| ALUMINIUM | T39C1HAB |
| BLACK | T39C1HZL |
| WHITE | T39C1HWL |



tossB

TOSSB.COM
CREATORS OF LIGHTING UNITS