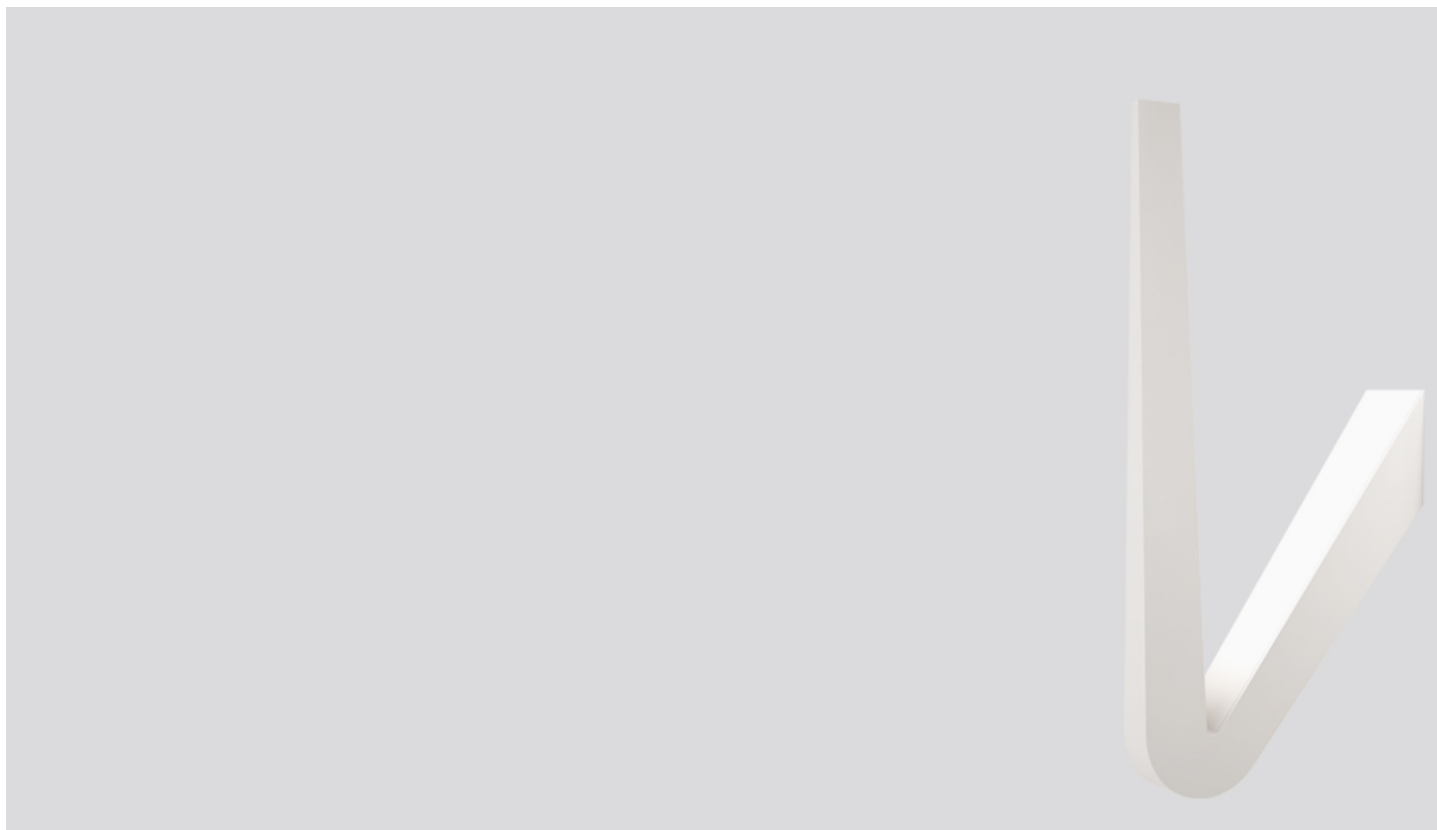


Tick W0

Design
Dante Donegani,
Giovanni Lauda

Year
2011



Description

Tick is a wall or ceiling lamp that provides indirect light. It uses a LED source (1,2 W) that guarantees an excellent light power as well as energy efficiency. The plastic shape contains the LED source, the electronic components and the wall-fixing system. It is an aluminium die casting that recalls a graphic sign. It is possible to hang it both sides, vertical or horizontal as well as upwards or upside down.

Materials

Tick is a lamp that makes an indirect wall or ceiling light. It can be fixed to the wall vertically or horizontally, upwards or upside down. The LED source, guarantees a high luminous and energy efficiency. The die-cast aluminium body contains the LED source, the electronic components and the wall-fixing system.

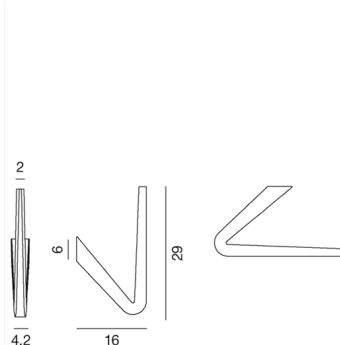
Certifications

CE IP20 

Uses

Wall,
Ceiling

Dimensions



Light bulbs

1x13.7W CRW1

LED

Kelvin: 2.700

Lumen: 1.200

CRI: 85

Color

Silver

Diffuser

-

1TKW000043