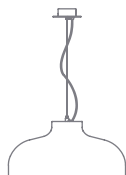


**M68**  
Miguel Milá  
1968  
Hanging lamp



A hanging lamp immortalising the silhouette of a woman's shoulders. It comprises a large aluminium shade with the cable running from the centre and a tiny metal cylinder that marks the transition between the shade and the steel wire from which it hangs.

**GENERAL DESCRIPTION**

3 versions available:

Polished aluminium lampshade and circular chrome-plated ceiling plate.

Brilliant red or white matte aluminium lampshade and circular ceiling plate.

White matte aluminium lampshade and circular ceiling plate.

Ceiling rosette suitable for side entry adaptor.

Suitable for Outlet Box (UL Market).

Electric cable length: 3 m / 117".

**LIGHT SOURCE**

Recommended light sources:

LED bulb: 17 W

Compact fluorescent: 20 W

Incandescent: Max. 100 W

E27 - E26 (Max. hgt. 130 mm / 5.1")

Light source not included.

Compatible with bulbs of the Energy efficiency class (E.E.C): A++... E.

Lamp suitable only for indoor use.

Always use the light source recommended or equivalent.

Input voltage: 100, 120, 230 VAC  
(50 Hz / 60 Hz) According to destination.

**APPROXIMATE WEIGHT (without package)**

1,6 Kg / 3.5 lb

## REGULATIONS

**CE**

IP 20  
 UNE-EN 60598  
 UNE-EN 55015  
 UNE-EN 60529



Non-class 2  
 Dry location only  
 UL-1598  
 E-353545

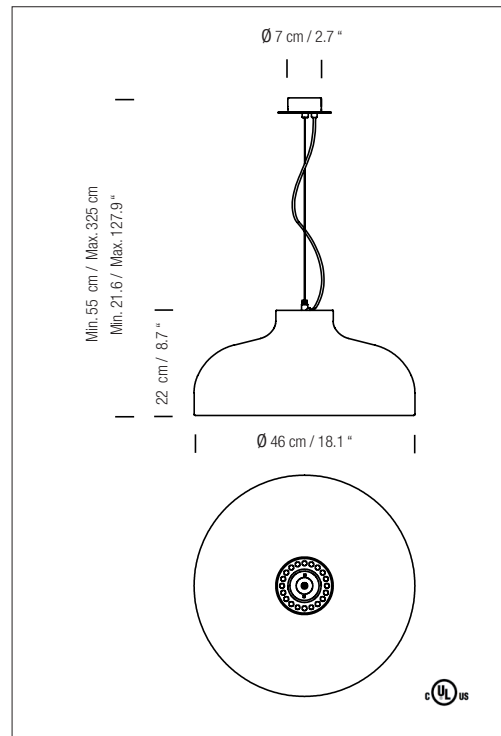
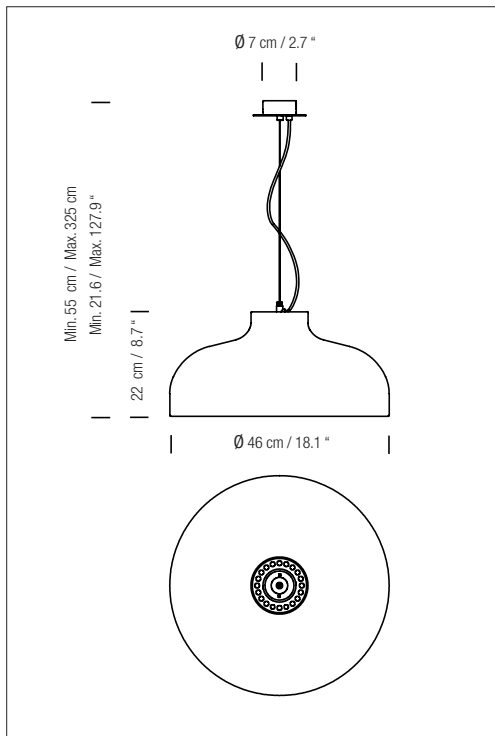
## MAINTENANCE

Clean with a smooth cloth. Do not use ammonia, solvents or abrasive cleaning products.

## OTHERS

The lamp is delivered in different packages.  
The assembly instructions are delivered with the product.

## MODELS



## Collection

### Hanging lamps



M64