

Bond, brands of, *Racing Light.*

design Bruno Rainaldi
terzani.com



Type		Pendant
Materials		Glass
Finishes		Code
Nickel Black / Gold		0L20S H7 F1
Nickel White / Gold		0L20S H7 F2

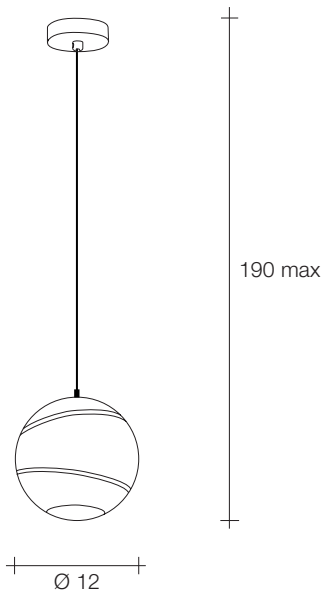
Light Source |



Bond's bands of light expose a deceptively luxurious interior. Under the glass exterior, lays a core of gold leaf that creates a deep, complex radiance. The overall glow is intensified by incisions that emit focused, dramatic lines of light. Extremely versatile, Bond is available in three sizes; as either a pendant or a table/floor light; and with a black or white exterior. Whether alone or grouped together, Bond's light creates a dynamic atmosphere. Design Bruno Rainaldi.



Body |



Canopy |



Bond, brands of, *Racing Light.*

design Bruno Rainaldi
terzani.com



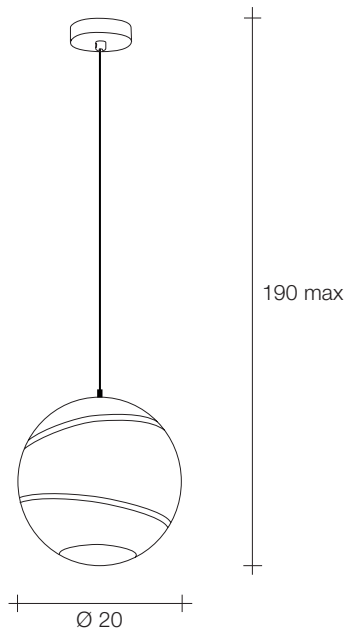
Type		Pendant
Materials		Glass
Finishes		Code
Nickel Black / Gold		0L21S H7 F1
Nickel White / Gold		0L21S H7 F2
Light Source		



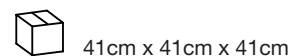
Bond's bands of light expose a deceptively luxurious interior. Under the glass exterior, lays a core of gold leaf that creates a deep, complex radiance. The overall glow is intensified by incisions that emit focused, dramatic lines of light. Extremely versatile, Bond is available in three sizes; as either a pendant or a table/floor light; and with a black or white exterior. Whether alone or grouped together, Bond's light creates a dynamic atmosphere. Design Bruno Rainaldi.



Body |



Canopy |



Bond, brands of, *Racing Light.*

design Bruno Rainaldi
terzani.com



Type | Pendant

Materials | Glass

Finishes | **Code**

Nickel Black / Gold  0L22S H7 F1

Nickel White / Gold  0L22S H7 F2

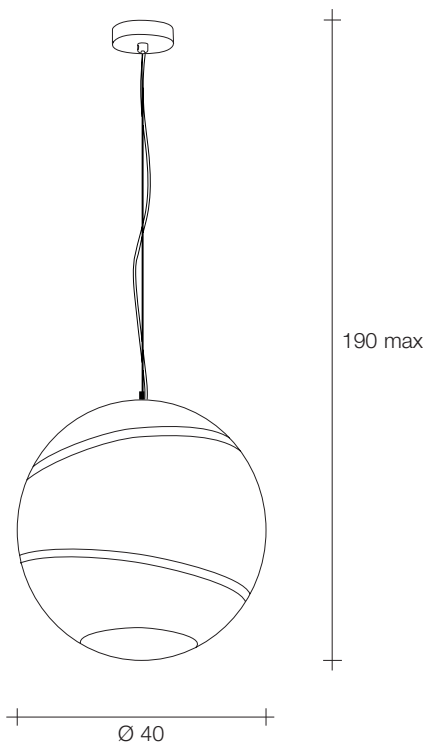
Light Source |



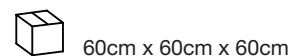
Bond's bands of light expose a deceptively luxurious interior. Under the glass exterior, lays a core of gold leaf that creates a deep, complex radiance. The overall glow is intensified by incisions that emit focused, dramatic lines of light. Extremely versatile, Bond is available in three sizes; as either a pendant or a table/floor light; and with a black or white exterior. Whether alone or grouped together, Bond's light creates a dynamic atmosphere. Design Bruno Rainaldi.



Body |



Canopy |



Bond, brands of, *Racing Light.*

design Bruno Rainaldi
terzani.com

TERZANI
LA LUCE PENSATA



Type | Table lamp

Materials | Glass

Finishes | **Code**

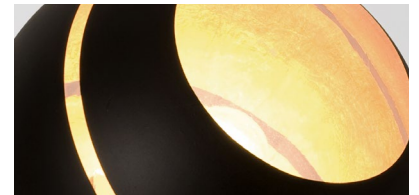
Nickel Black / Gold  0L23B H7 F1

Nickel White / Gold  0L23B H7 F2

Light Source |

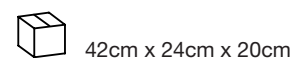
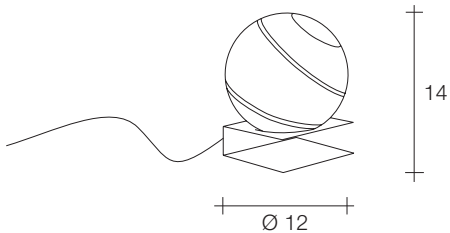


Bond's bands of light expose a deceptively luxurious interior. Under the glass exterior, lays a core of gold leaf that creates a deep, complex radiance. The overall glow is intensified by incisions that emit focused, dramatic lines of light. Extremely versatile, Bond is available in three sizes; as either a pendant or a table/floor light; and with a black or white exterior. Whether alone or grouped together, Bond's light creates a dynamic atmosphere. Design Bruno Rainaldi.



Body |

Canopy |



Bond, brands of, *Racing Light.*

design Bruno Rainaldi
terzani.com

TERZANI
LA LUCE PENSATA



Type | Table lamp

Materials | Glass

Finishes | **Code**

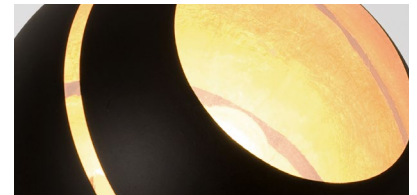
Nickel Black / Gold  0L24B H7 F1

Nickel White / Gold  0L24B H7 F2

Light Source |

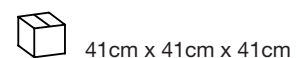
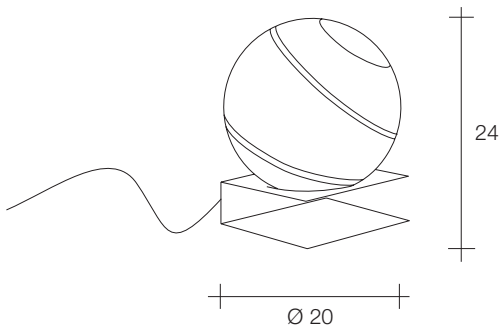


Bond's bands of light expose a deceptively luxurious interior. Under the glass exterior, lays a core of gold leaf that creates a deep, complex radiance. The overall glow is intensified by incisions that emit focused, dramatic lines of light. Extremely versatile, Bond is available in three sizes; as either a pendant or a table/floor light; and with a black or white exterior. Whether alone or grouped together, Bond's light creates a dynamic atmosphere. Design Bruno Rainaldi.



Body |

Canopy |



Bond, brands of, *Racing Light.*

design Bruno Rainaldi
terzani.com



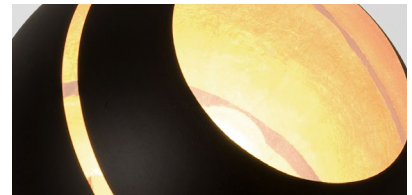
Type | Table Lamp
Materials | Glass

Finishes | **Code**
Nickel Black / Gold  OL25B H7 F1
Nickel White / Gold  OL25B H7 F2

Light Source |



Bond's bands of light expose a deceptively luxurious interior. Under the glass exterior, lays a core of gold leaf that creates a deep, complex radiance. The overall glow is intensified by incisions that emit focused, dramatic lines of light. Extremely versatile, Bond is available in three sizes; as either a pendant or a table/floor light; and with a black or white exterior. Whether alone or grouped together, Bond's light creates a dynamic atmosphere. Design Bruno Rainaldi.



Body |

Canopy |

