



Mizu, Flowing

design Nicolas Terzani
terzani.com



Type | pendant
Materials | clear crystal (24% lead)

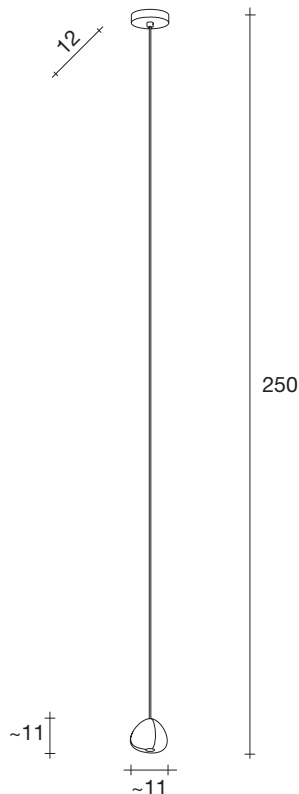
Finishes | **Code**
Brushed Nickel/ Clear  0R01S H4 A9
White/ Gold  0R01S E8 A4

Inspired by the tranquil and mesmerizing light refractions created by water, Mizu is a customizable pendant light from Terzani. Like water droplets, no two Mizu are alike, each crystal shape is unique and made meticulously by hand. Using only the clearest crystal (24% lead), Mizu perfectly emulates water's refraction of light, casing amazing patterns around the room, reminiscent of flowing water. Also available in gold leaf. Design Nicolas Terzani

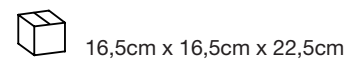
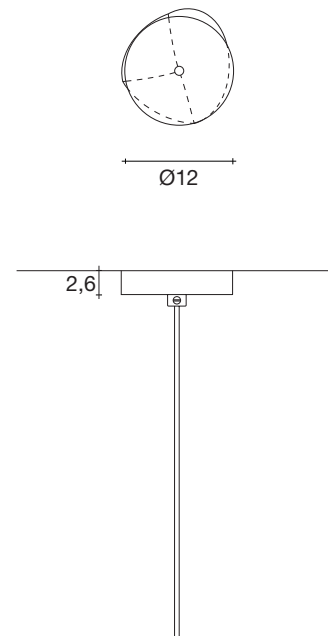
Light Source |



Body |



Canopy |





Mizu, *Flowing Light.*

design Nicolas Terzani
terzani.com

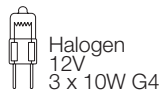


Type | pendant
Materials | clear crystal (24% lead)

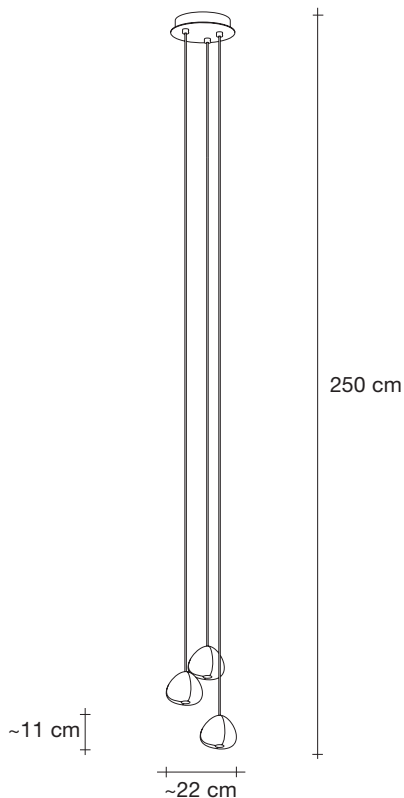
Finishes | **Code**
Brushed Nickel/ Clear  0R03S H4 A9
White/ Gold  0R03S E8 A4

Inspired by the tranquil and mesmerizing light refractions created by water, Mizu is a customizable pendant light from Terzani. Like water droplets, no two Mizu are alike, each crystal shape is unique and made meticulously by hand. Using only the clearest crystal (24% lead), Mizu perfectly emulates water's refraction of light, casing amazing patterns around the room, reminiscent of flowing water. Also available in gold leaf. Design Nicolas Terzani

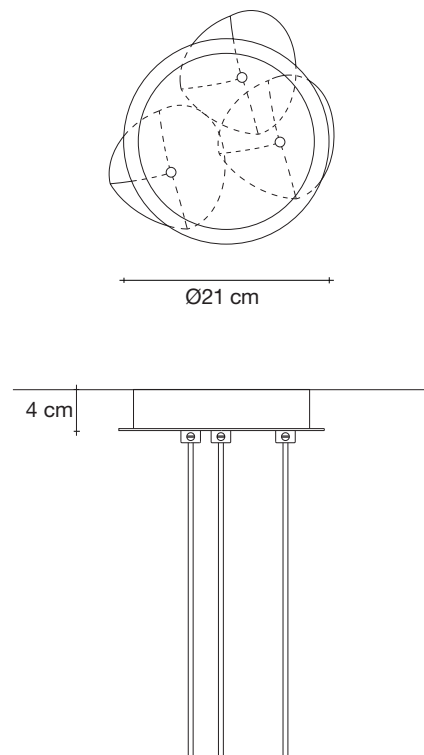
Light Source |



Body |



Canopy |





Mizu, *Flowing Light.*

design Nicolas Terzani
terzani.com

TERZANI
LA LUCE PENSATA



Type | pendant
Materials | clear crystal (24% lead)

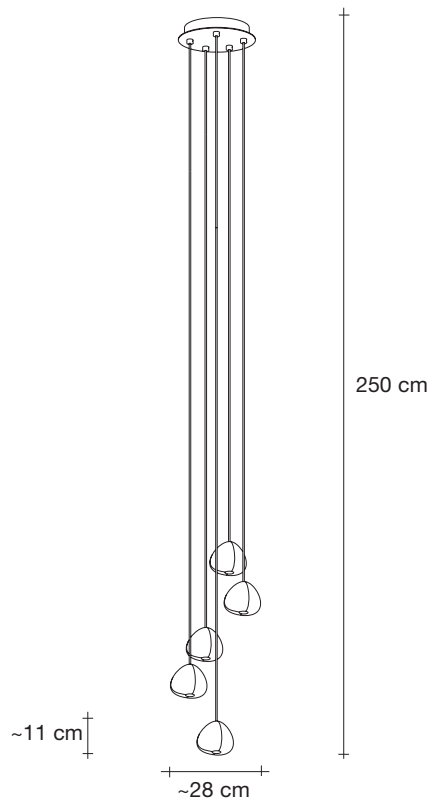
Finishes | **Code**
Brushed Nickel/ Clear  OR05S H4 A9
White/ Gold  OR05S E8 A4

Inspired by the tranquil and mesmerizing light refractions created by water, Mizu is a customizable pendant light from Terzani. Like water droplets, no two Mizu are alike, each crystal shape is unique and made meticulously by hand. Using only the clearest crystal (24% lead), Mizu perfectly emulates water's refraction of light, casing amazing patterns around the room, reminiscent of flowing water. Also available in gold leaf. Design Nicolas Terzani

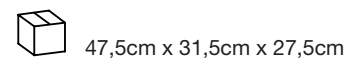
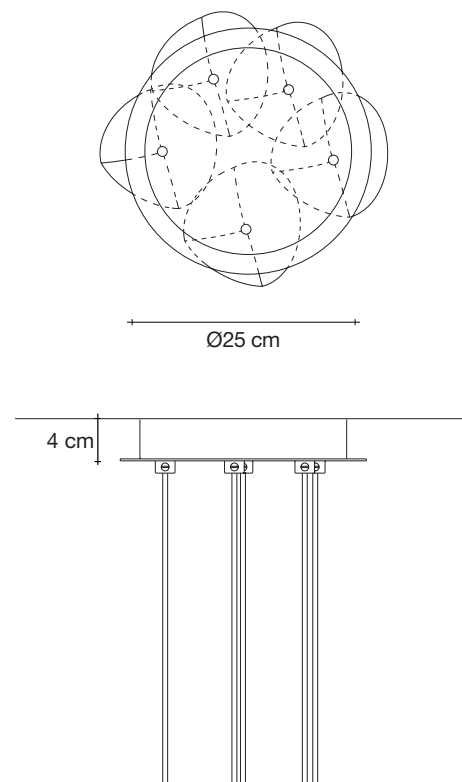
Light Source |



Body |



Canopy |





Mizu, Flowing *Light*.

design Nicolas Terzani
terzani.com

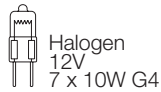


Type | pendant
Materials | clear crystal (24% lead)

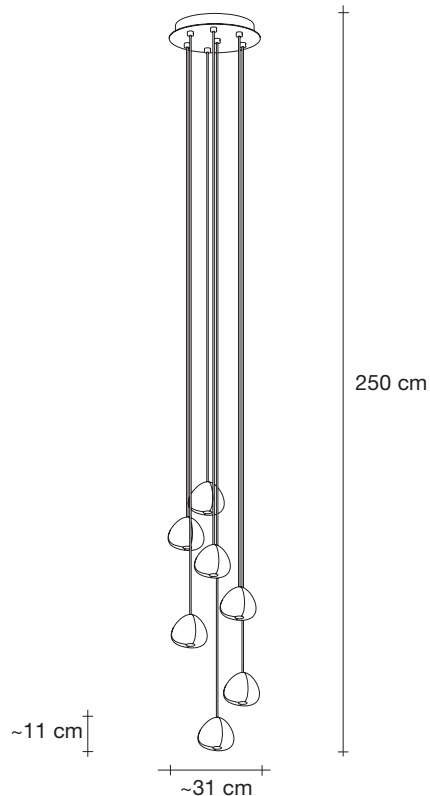
Finishes | **Code**
Brushed Nickel/ Clear  OR07S H4 A9
White/ Gold  OR07S E8 A4

Inspired by the tranquil and mesmerizing light refractions created by water, Mizu is a customizable pendant light from Terzani. Like water droplets, no two Mizu are alike, each crystal shape is unique and made meticulously by hand. Using only the clearest crystal (24% lead), Mizu perfectly emulates water's refraction of light, casing amazing patterns around the room, reminiscent of flowing water. Also available in gold leaf. Design Nicolas Terzani

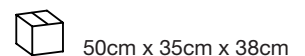
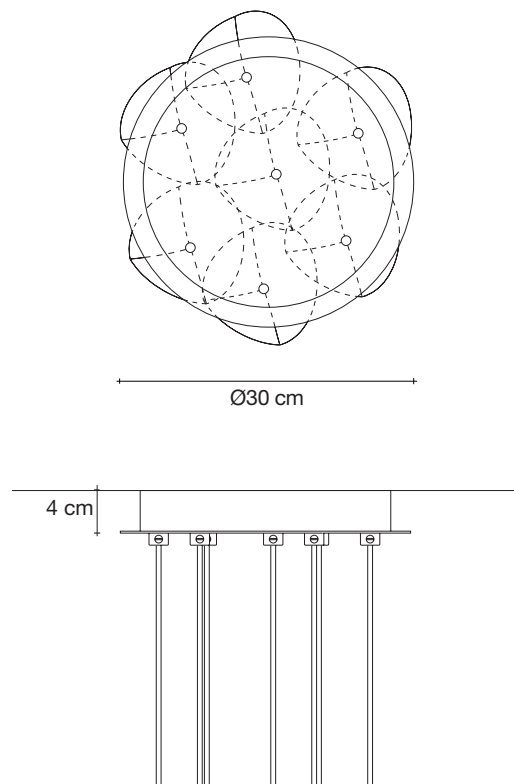
Light Source |



Body |



Canopy |




Mizu, Flowing *Light*.


design Nicolas Terzani
terzani.com



Type | pendant
Materials | clear crystal (24% lead)

Finishes | **Code**

White/Clear  OR15S E8 A9 R

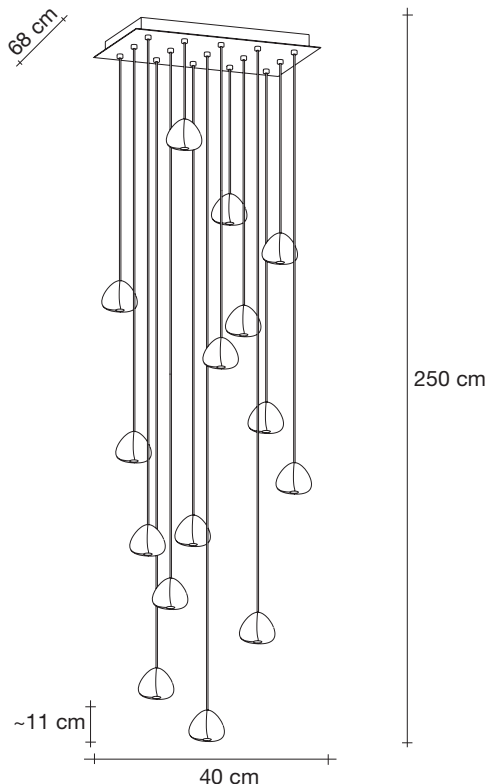
White/Gold  OR15S E8 A4 R

Inspired by the tranquil and mesmerizing light refractions created by water, Mizu is a customizable pendant light from Terzani. Like water droplets, no two Mizu are alike, each crystal shape is unique and made meticulously by hand. Using only the clearest crystal (24% lead), Mizu perfectly emulates water's refraction of light, casing amazing patterns around the room, reminiscent of flowing water. Also available in gold leaf. Design Nicolas Terzani

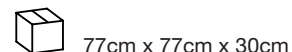
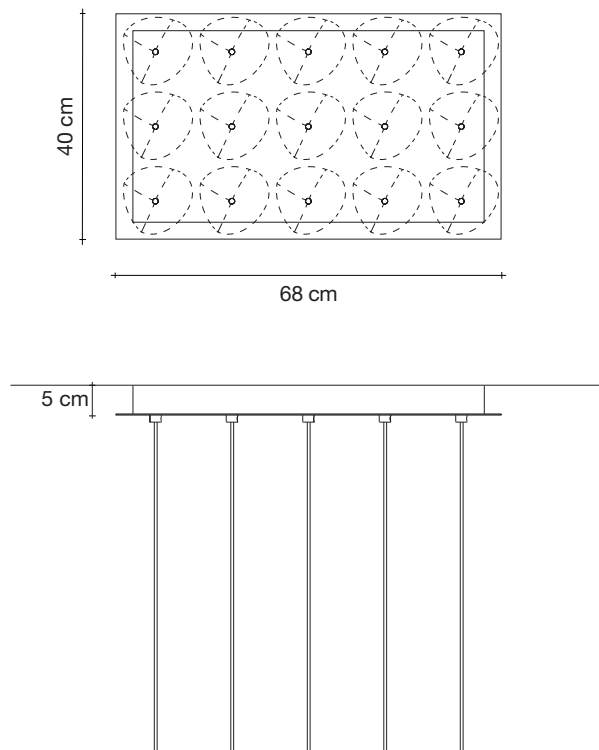
Light Source |



Body |



Canopy |




Mizu, Flowing *Light*.


design Nicolas Terzani
terzani.com



Type | pendant
Materials | clear crystal (24% lead)

Finishes | **Code**

White/Clear  OR15S E8 A9 T

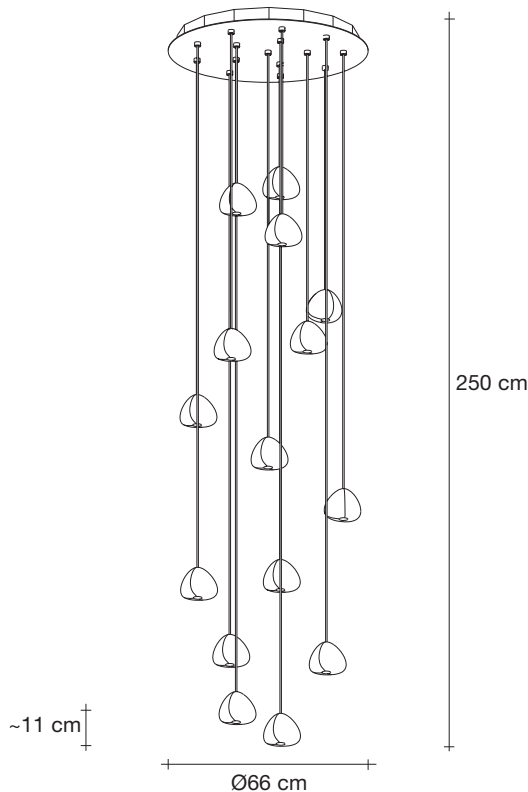
White/Gold  OR15S E8 A4 T

Inspired by the tranquil and mesmerizing light refractions created by water, Mizu is a customizable pendant light from Terzani. Like water droplets, no two Mizu are alike, each crystal shape is unique and made meticulously by hand. Using only the clearest crystal (24% lead), Mizu perfectly emulates water's refraction of light, casing amazing patterns around the room, reminiscent of flowing water. Also available in gold leaf. Design Nicolas Terzani

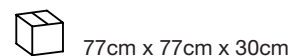
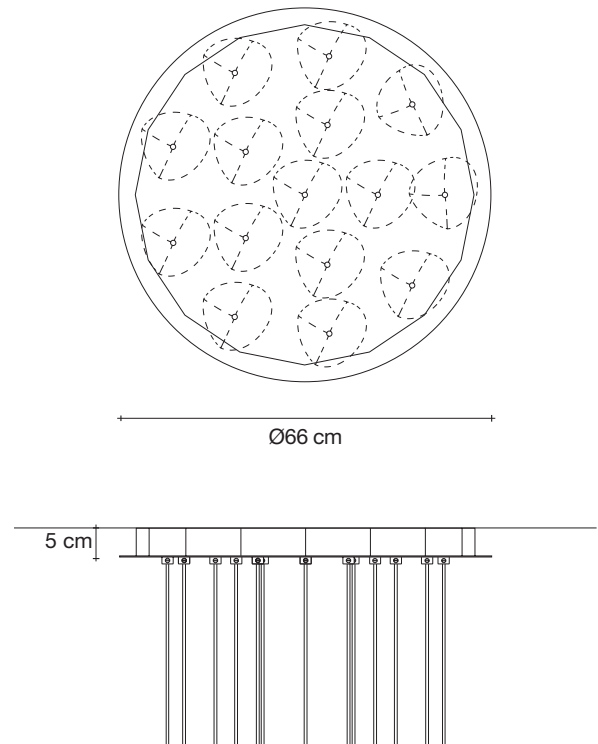
Light Source |



Body |



Canopy |




Mizu, Flowing *Light*.


Nicolas Terzani
terzani.com



Type | pendant
Materials | clear crystal (24% lead)

Finishes | **Code**

White/
Clear  0R26S E8 A9 Q

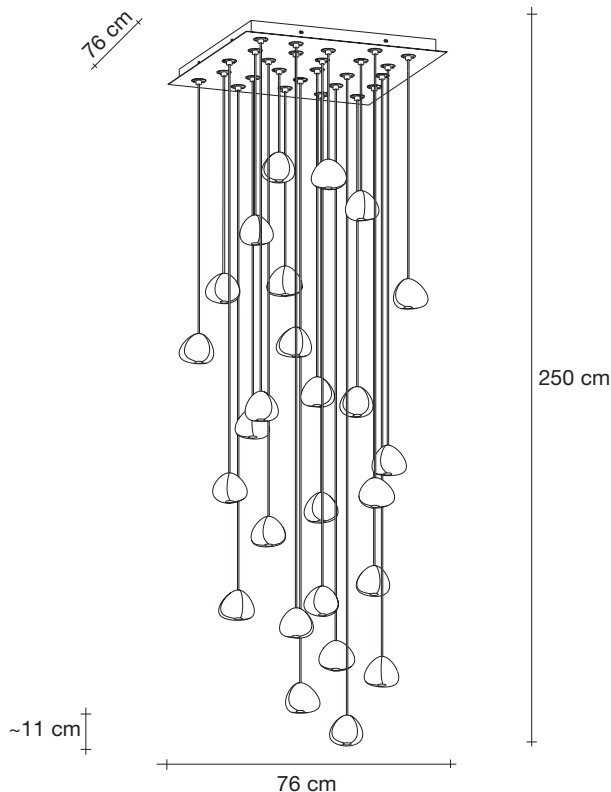
White/
Gold  0R26S E8 A4 Q

Inspired by the tranquil and mesmerizing light refractions created by water, Mizu is a customizable pendant light from Terzani. Like water droplets, no two Mizu are alike, each crystal shape is unique and made meticulously by hand. Using only the clearest crystal (24% lead), Mizu perfectly emulates water's refraction of light, casing amazing patterns around the room, reminiscent of flowing water. Also available in gold leaf. Design Nicolas Terzani

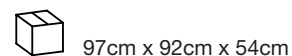
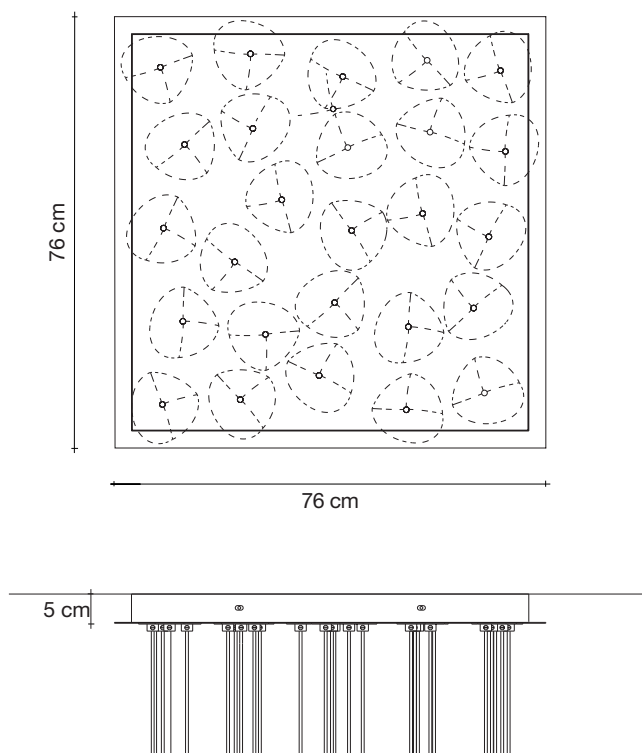
Light Source |



Body |



Canopy |




Mizu, Flowing *Light*.


design Nicolas Terzani
terzani.com



Type | pendant
Materials | clear crystal (24% lead)

Finishes | **Code**

White/Clear  OR26S E8 A9 T

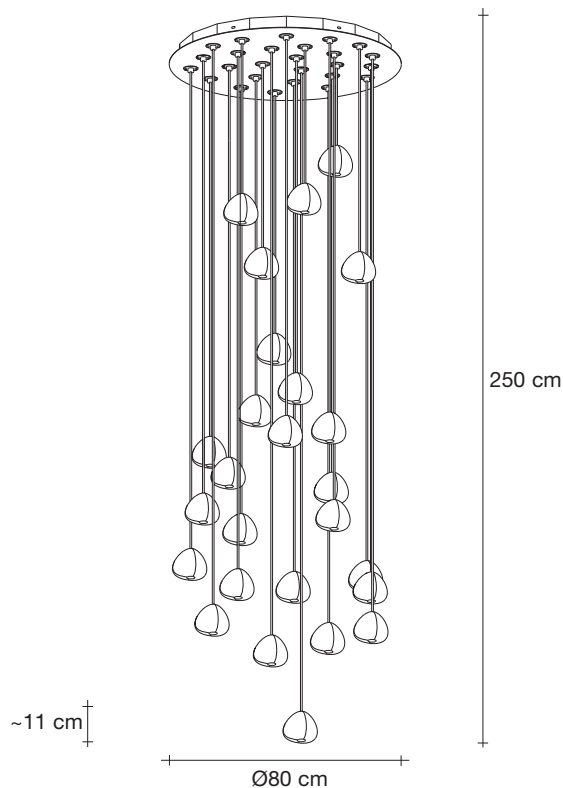
White/Gold  OR26S E8 A4 T

Inspired by the tranquil and mesmerizing light refractions created by water, Mizu is a customizable pendant light from Terzani. Like water droplets, no two Mizu are alike, each crystal shape is unique and made meticulously by hand. Using only the clearest crystal (24% lead), Mizu perfectly emulates water's refraction of light, casing amazing patterns around the room, reminiscent of flowing water. Also available in gold leaf. Design Nicolas Terzani

Light Source |



Body |



Canopy |

