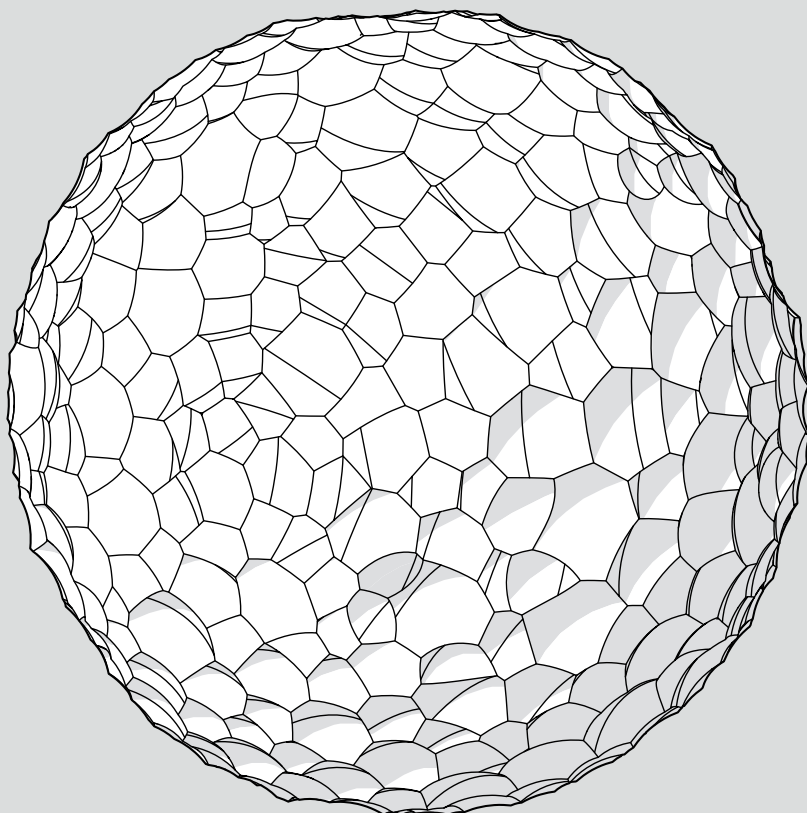


Artemide®

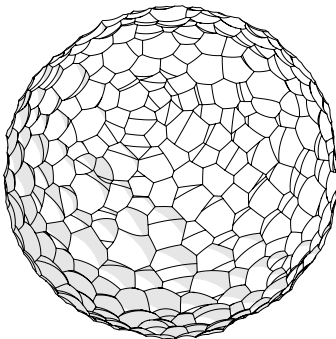
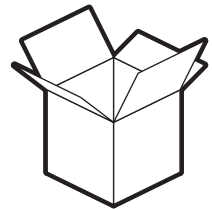
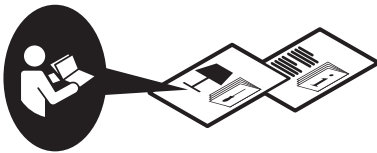
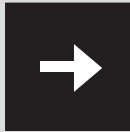
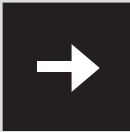
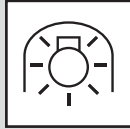
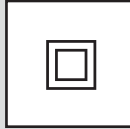
Meteorite

design
Pio & Tito Toso

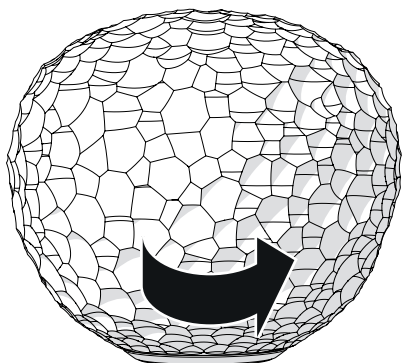




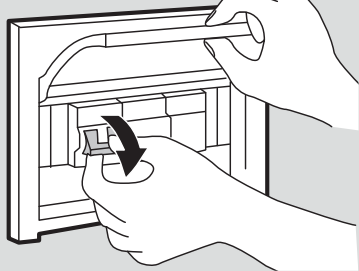
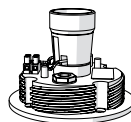
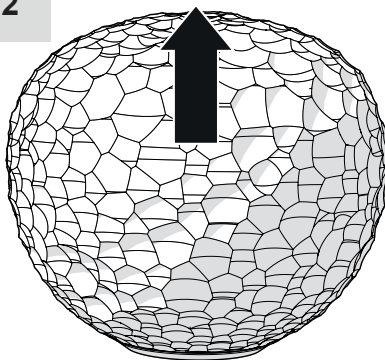
i



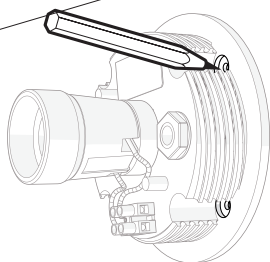
1



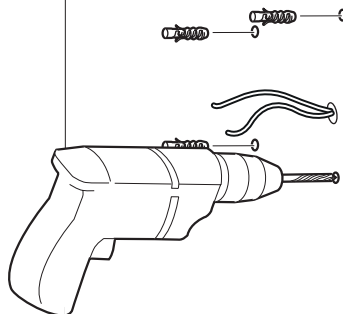
2

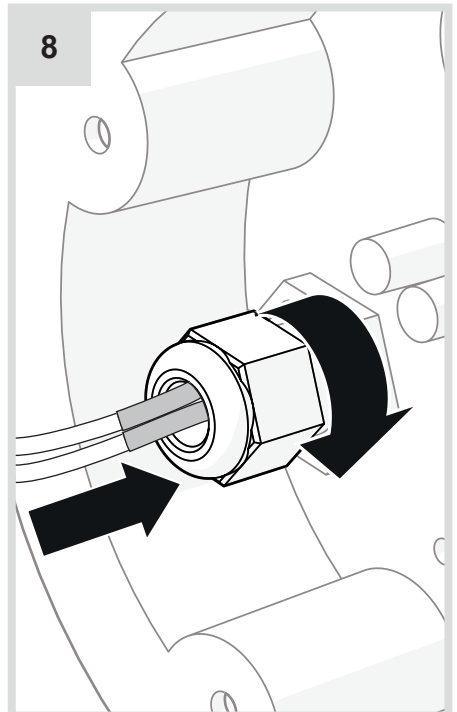
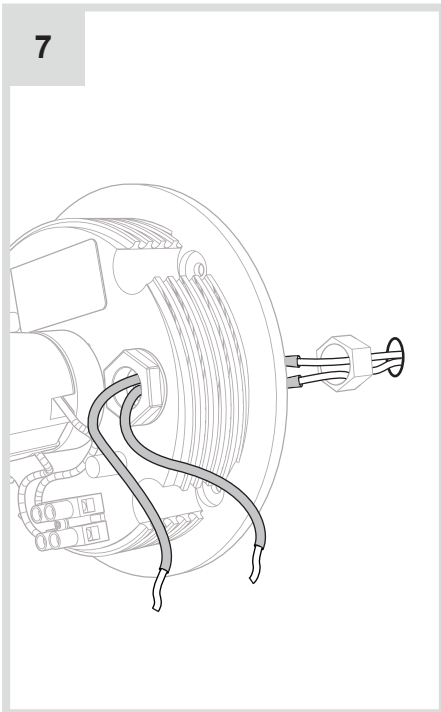
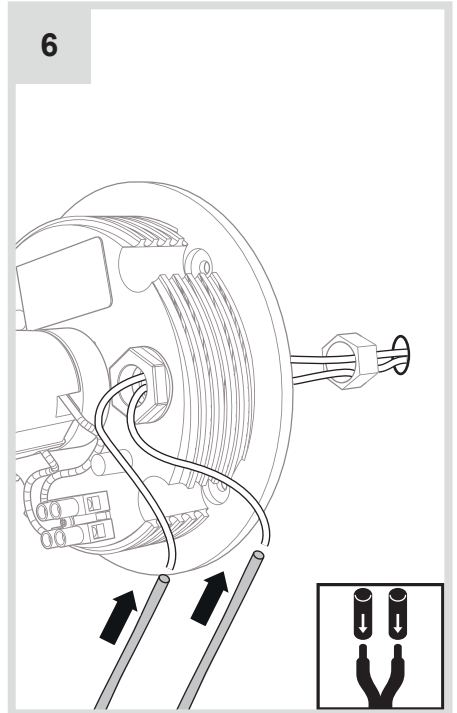
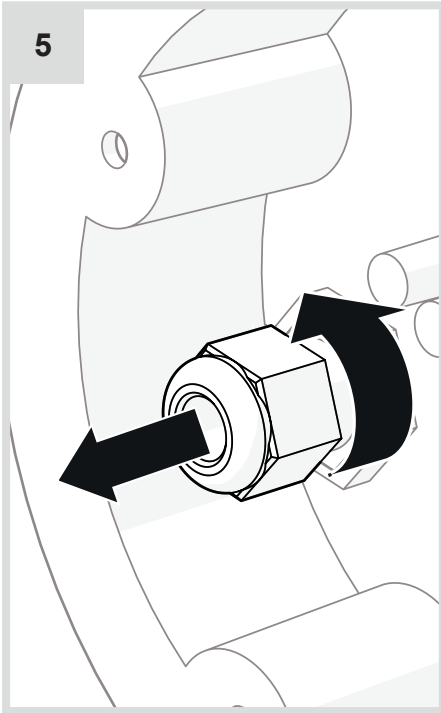


3

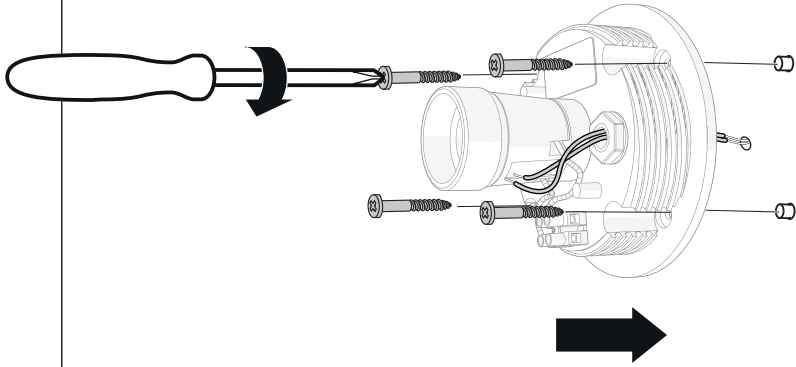


4

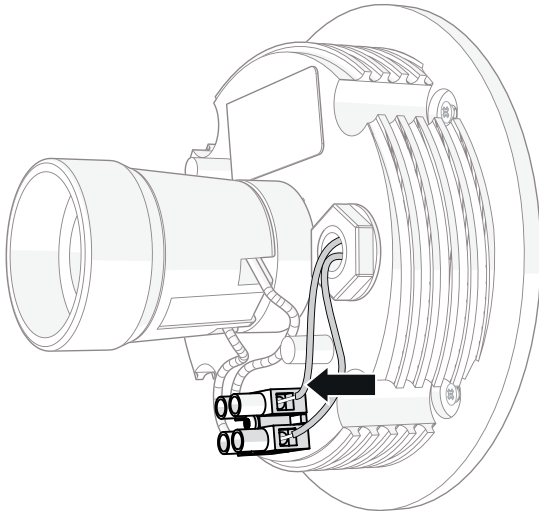




9

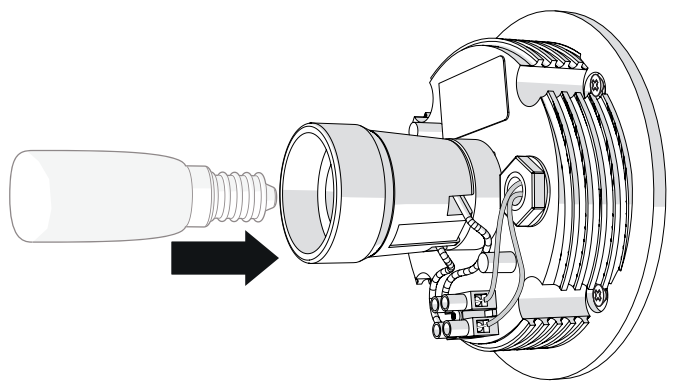


10

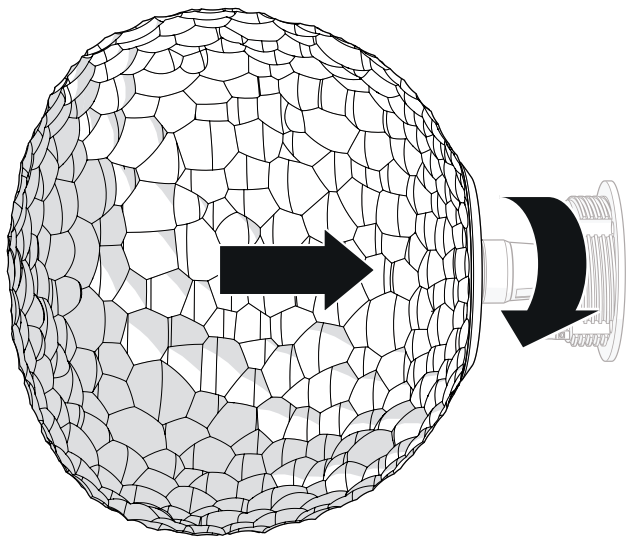


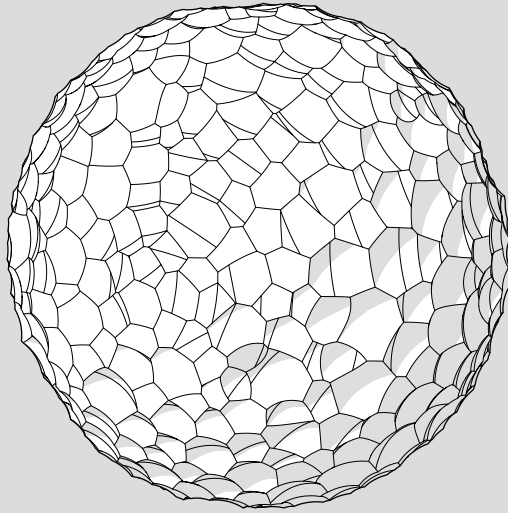


11

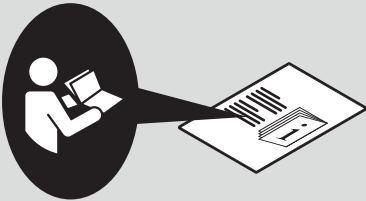


12

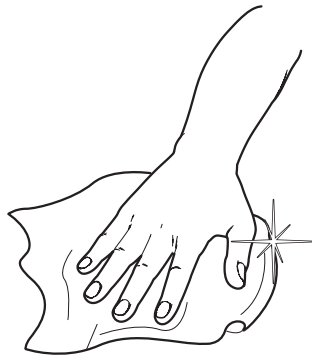




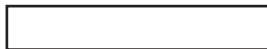
i



1



Artemide®



Artemide

via Bergamo, 18
20010 Pregnana M.se (MI)
ITALIA

tel. +39 02 935 181
fax +39 02 935 90 254
fax +39 02 935 90 496

www.artemide.com

VAT IT00846890150

codY513000208A