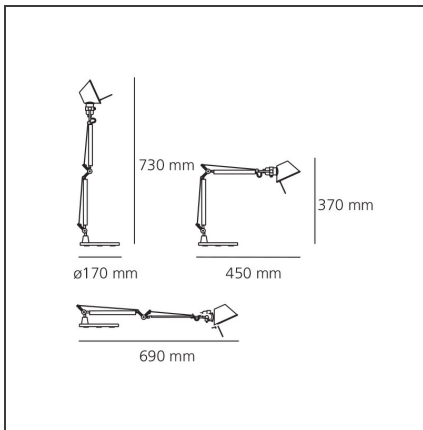


Tolomeo Micro Table LED 2700K



IP20

TECHNICAL DRAWINGS



DESIGN BY

Michele De Lucchi, Giancarlo Fassina

DESCRIPTION

Using Led technology, the attention must be focused not only on energy consumption and light efficiency, but above all on the quality and quantity of the distribution of the light. In fact the advantage of the Led is that it emits 100% light flow into the direct hemisphere, eliminating dispersion and waste in other directions. This means that in order to obtain illuminance of 1250 lux on the work surface, with an incandescent light source a power of 100W is necessary, while with a Led source 10W is sufficient, with a 90% energy saving. Base and cantilevered arms in polished aluminium; diffuser in matt anodised aluminium; joints and supports in polished aluminium. System of spring balancing. The code is referred to the body lamp only

FEATURES

Article Code:	A0119W00	Material:	Aluminium, steel
Colour:	Aluminium	Series:	Design
Installation:	Table		

DIMENSIONS

Length:	cm 45	Max Extension Length:	cm 69
Height:	cm 37		
Base Diameter:	cm 17		
Max Extension Height:	cm 73		

INCLUDED SOURCES

Category:	LED	Color temperature (K):	2700K
Number:	1	CRI:	90
Watt:	9W		
Type:	1		
Class:	A		

LUMINAIRE

Watt:	9W	Delivered lumens output (lm):	461lm
Voltage:	24V	CCT:	2700K
		Efficiency:	63%
		Efficacy:	51lm/W
		CRI:	90
		Dimmer Typology:	Microswitch Dimmer
		Dimmable Typology:	-