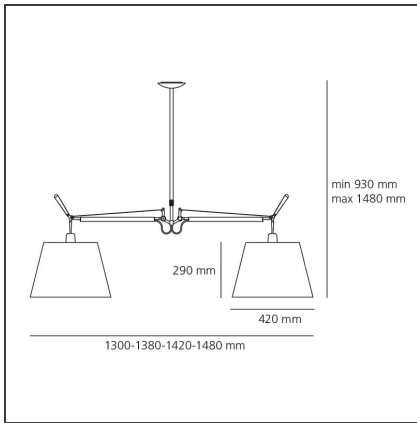


# Tolomeo Suspension Basculante 2 Bracci - Structure



IP20 Dimmerable: + -

## TECHNICAL DRAWINGS



## DESIGN BY

Michele De Lucchi, Giancarlo Fassina

## DESCRIPTION

Cantilevered arms in polished aluminium; diffuser in parchment paper on a plastic frame, joints in polished aluminium. The code refers to the luminaire's body only

## FEATURES

<b>Article Code:</b>	0630010A	<b>Material:</b>	Aluminium
<b>Colour:</b>	Aluminium	<b>Series:</b>	Design
<b>Installation:</b>	Suspension		

## DIMENSIONS

<b>Width:</b>	cm 130
<b>Height:</b>	cm 93
<b>Max Height from ceiling:</b>	cm 148

## NOT INCLUDED SOURCES

<b>Category:</b>	HALO	<b>Color Rendering:</b>	1a
<b>Number:</b>	2	<b>Color temperature (K):</b>	2900K
<b>Watt:</b>	150W		
<b>Lbs:</b>	Qt32		
<b>Socket:</b>	E27		
<b>Duration (h):</b>	2000h		

## ALTERNATIVE SOURCES

<b>Category:</b>	LED
<b>Number:</b>	2
<b>Watt:</b>	8W
<b>Type:</b>	2
<b>Socket:</b>	E27
<b>Class:</b>	A

## LUMINAIRE

<b>Watt:</b>	2x150W
<b>Voltage:</b>	220V-240V

**ACCESSORIES**

TOLOMEO MEGA  
DIFF.PERG.360  
0780020A



TOLOMEO  
SOSP.DEC.SOLO  
DIFF.PERGAMENA  
0372050A



TOLOMEO MEGA  
DIFF.RASO 360  
0781020A



TOLOMEO  
MEGA/DEC  
DIFFUSORE RASO  
D.240  
0781050A



TOLOMEO MEGA  
DIFF.PERG.320  
0780010A



TOLOMEO MEGA  
DIFF.PERG.420  
0780030A



TOLOMEO MEGA  
DIFF.RASO 320  
0781010A



TOLOMEO MEGA  
DIFF.RASO 420  
0781030A