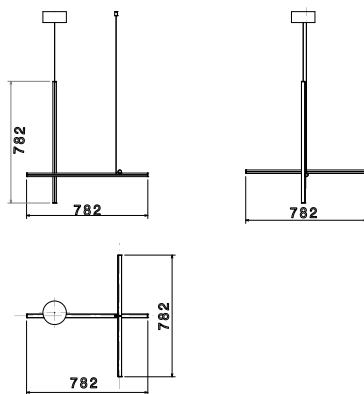


Coordinates Suspension 1 CLIII

■ F1842044 - Anodized Champagne

Designed by Michael Anastassiades

Coordinates is a lighting system with diffuse light composed of horizontal and vertical luminaries arranged in a bright grid of various shapes and complexities. Each element is made of extruded anodized aluminium with a champagne finish and a diffuser in platinum optical silicone with an integrated LED strip (CRI 95). Each element is powered and supported by an invisible electrical and mechanical connection designed specifically to allow for the composition of the 4 hanging models (S1, S2, S3, S4) with 2.4-m cables. The 'S Module' is also available. Its geometry was designed to be repeated to create large grids for custom installations. Each Coordinates configuration includes its own ceiling rose, whose integrated electronics allow for the use of different dimmer systems: push, 1-10, DALI. In the absence of these systems, the amount of light can be set during installation with the push system included in the rose. The related CI III version is also available for each configuration for installations with a remote power supply.



Main specifications

Mounting	Suspension	Lamp holder	LED Module
Environment	Indoor dry location	Autoprotected Lamp	No
Light source type	LED	Source Power (W)	32
Light source replaceable	Replaceable (LED only) light source by a professional LED Module	Source Flux (lm)	1920lm
		System Flux (lm)	1920

LED type

Optical

Lighting Type	Total
Lighting distribution	Asymmetric
CCT (K)	2700K
CRI>	95
Cold Beam Lighting	No
Extreme Cut off	No

Electrical

Insulation class	III
Main Voltage (Vac)	48
Batteries Inside	No
Cord length (mm)	2400

Physical

Colour	Anodized Champagne	IP external	20
Length (mm)	782		
Net weight (kg)	0.1		
Gross weight (kg)	0.22		
IP	20		

Coordinates Suspension 1 CLIII



AL.EL.100-240Vac 48V
1.7A 80W MW HLG-80H-
48A
RF29208



DIMMER LED 12-48V
2AMD1511VPVRDS-1 UL
NECT O GR.
RF26994