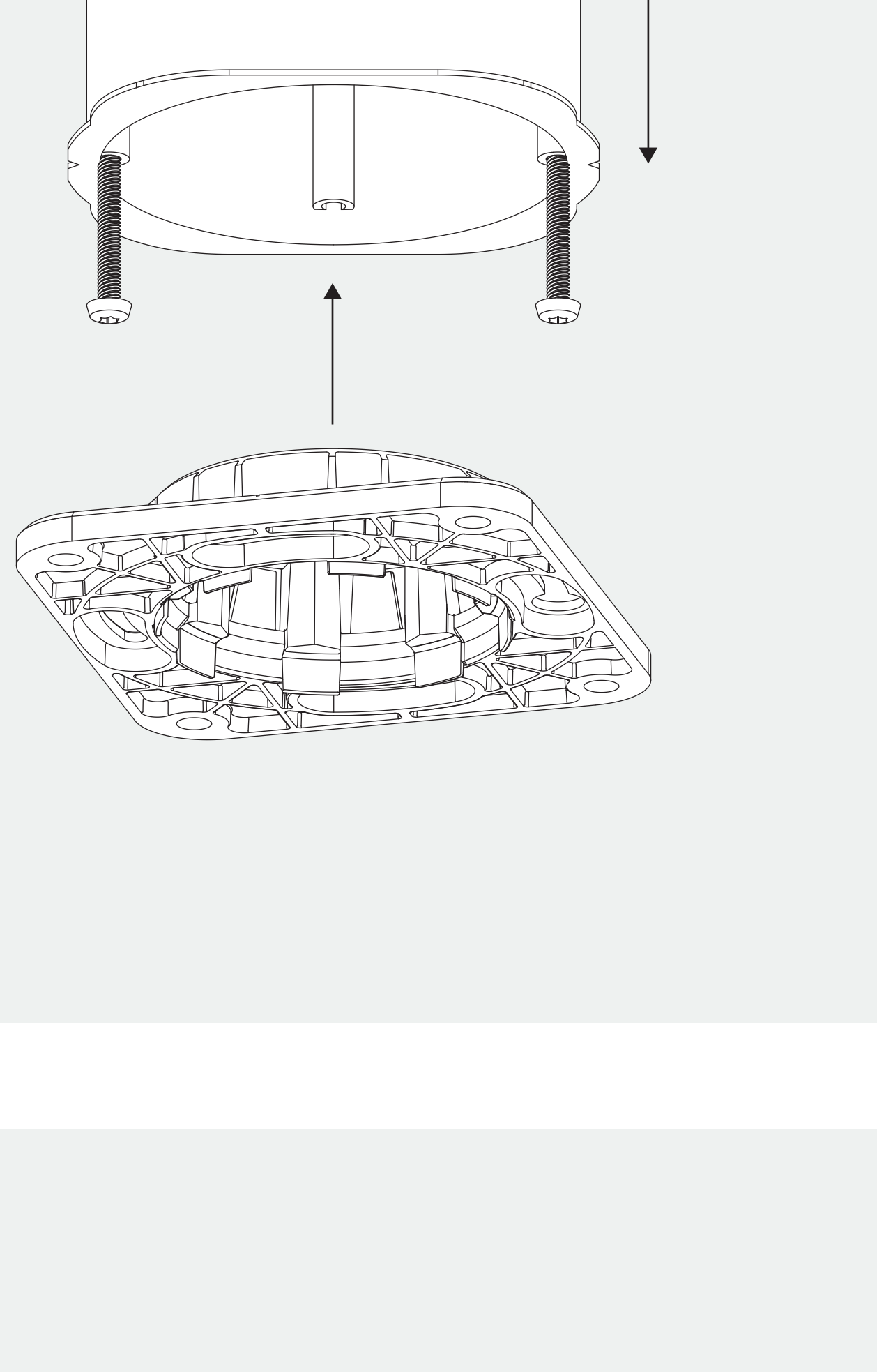


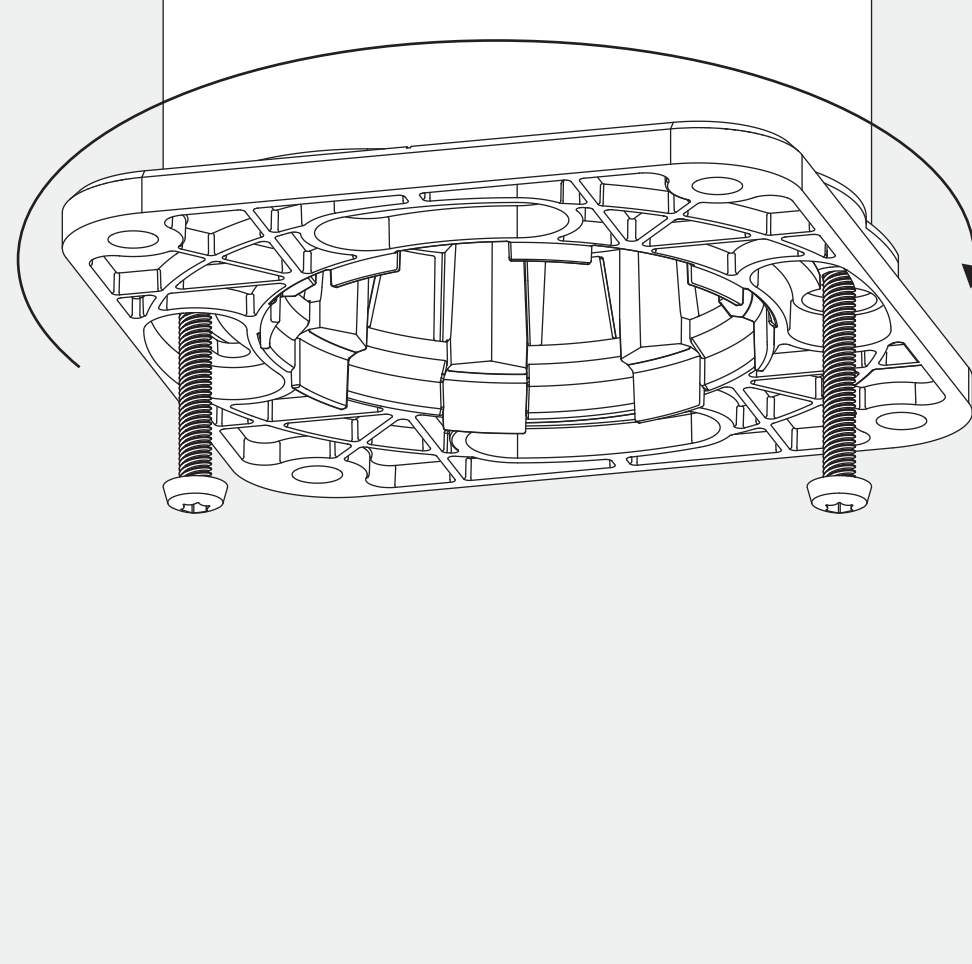
rond 2.0 backfit holder

installation instruction

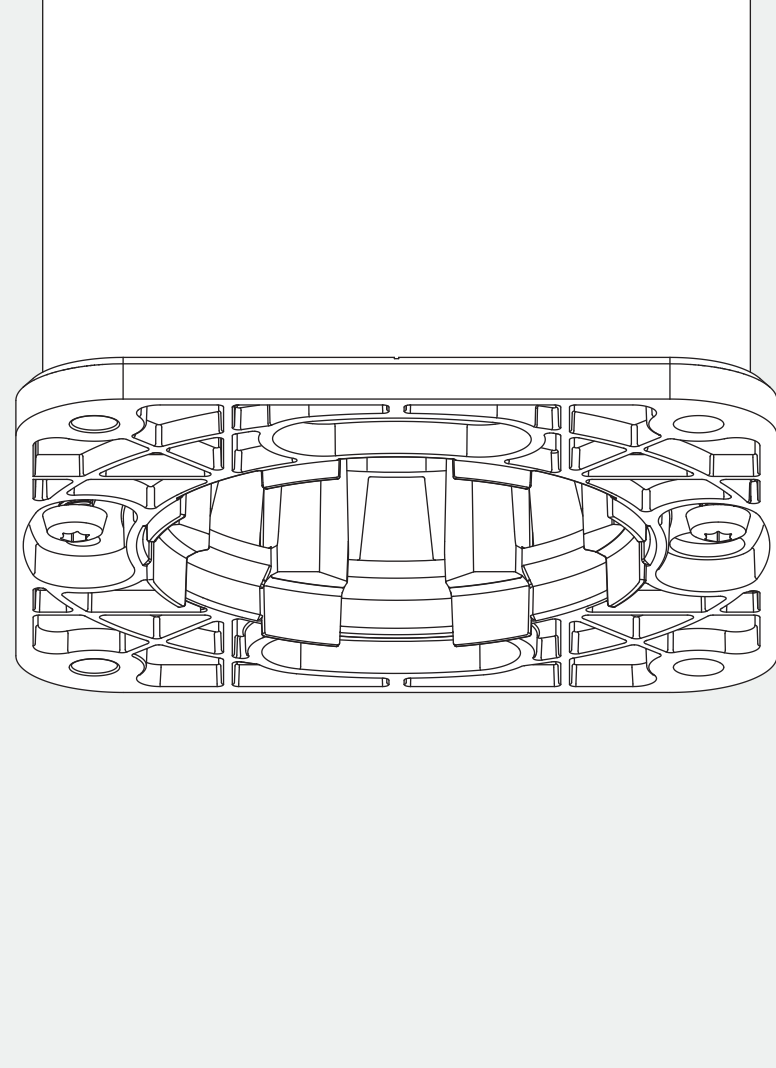
1



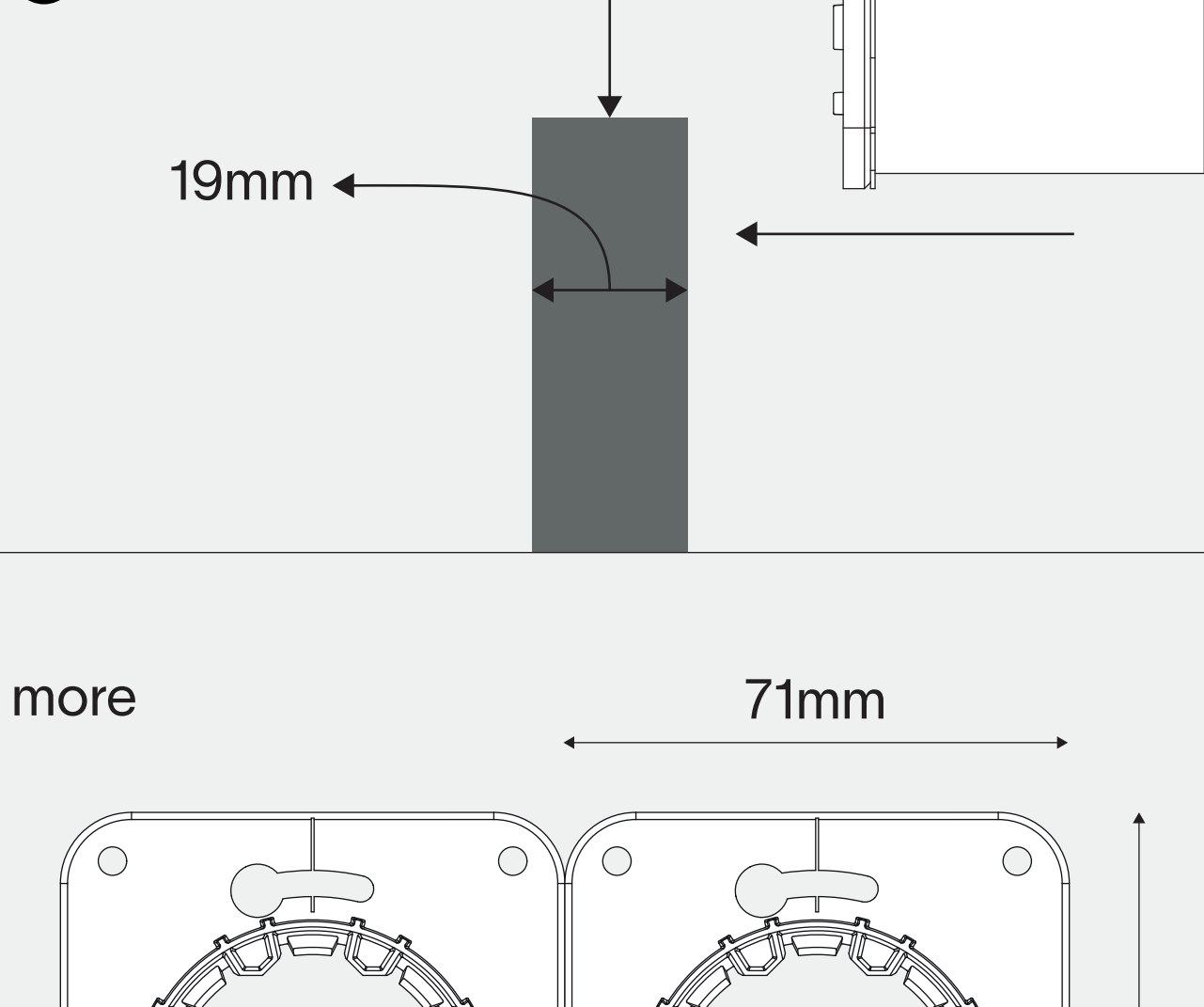
2



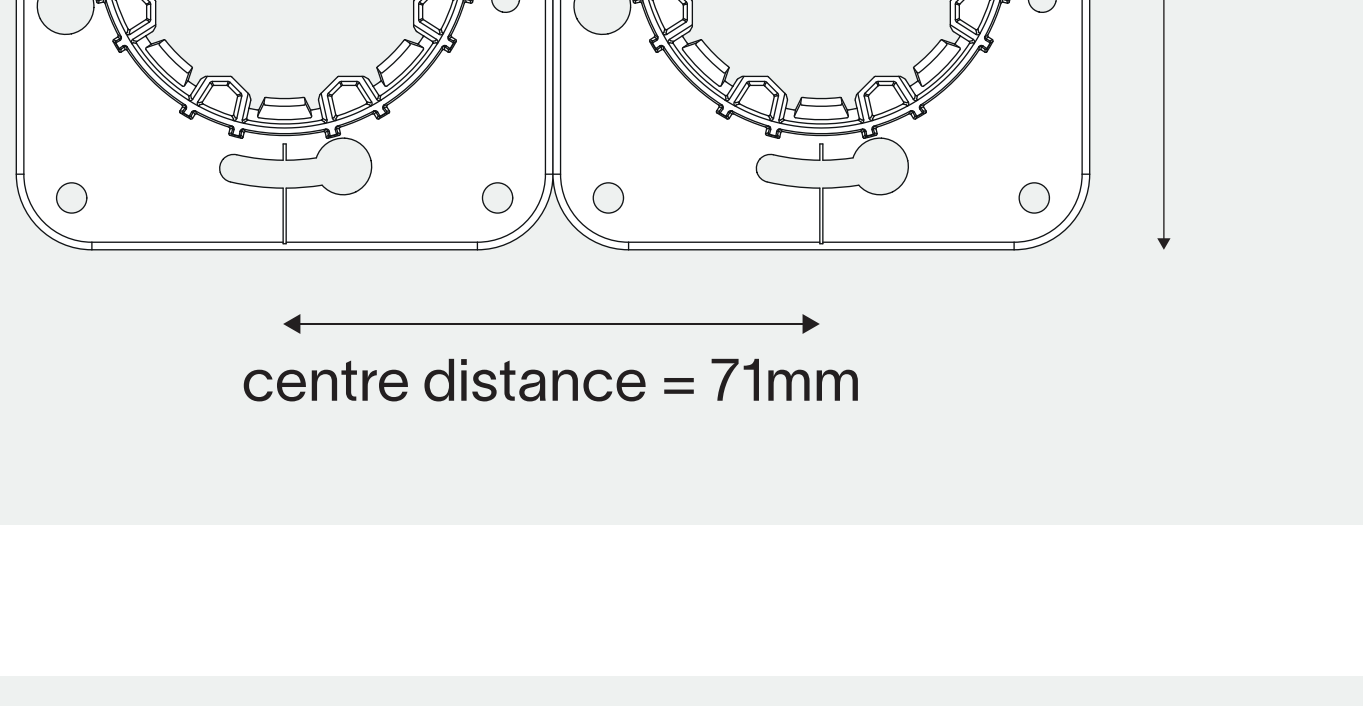
3



4

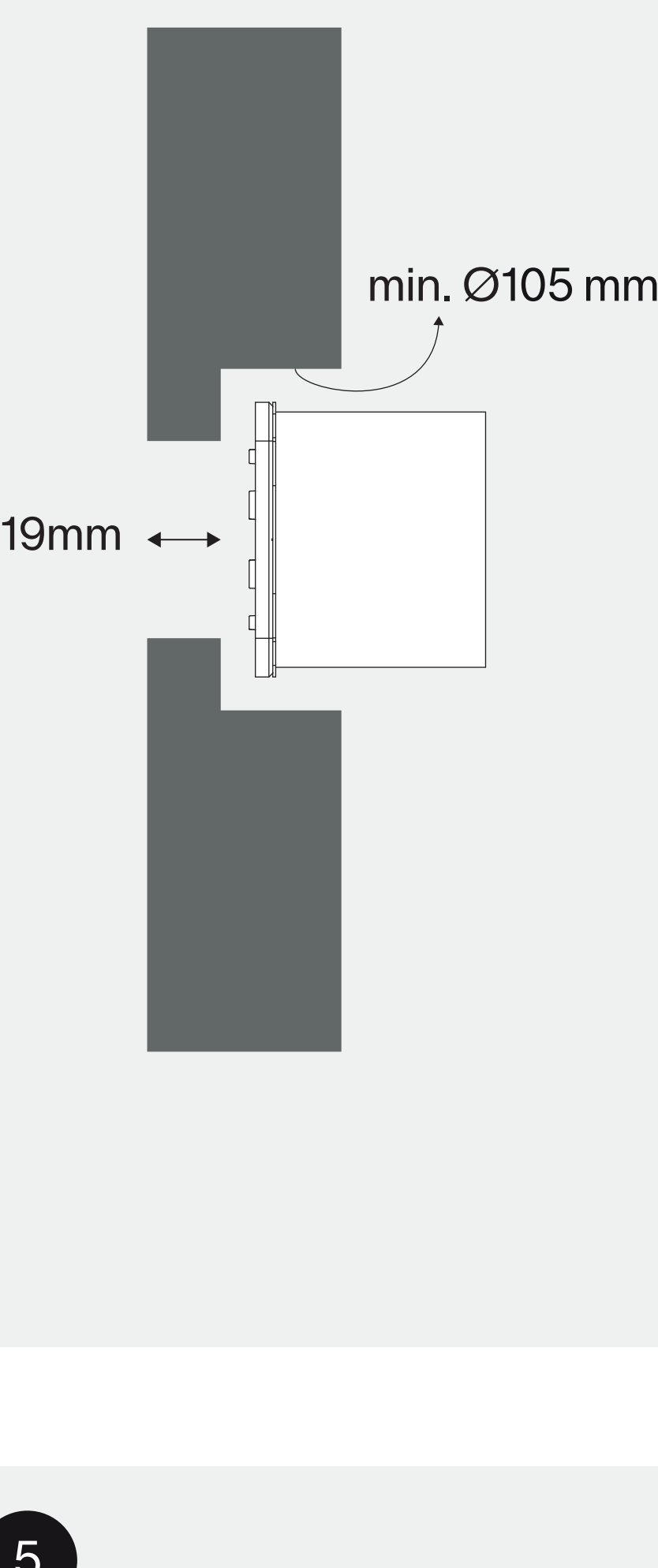


for 2 or more

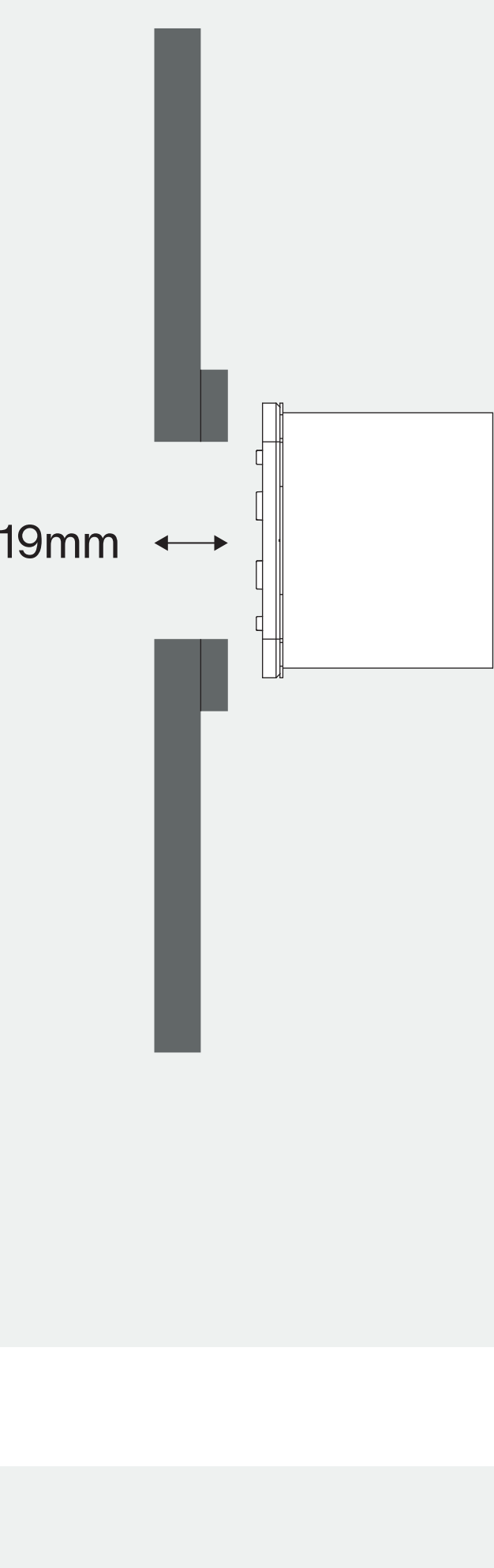


if the finish material thickness is not 19mm, machine down or add (wooden) plate to achieve the correct total depth (19mm)

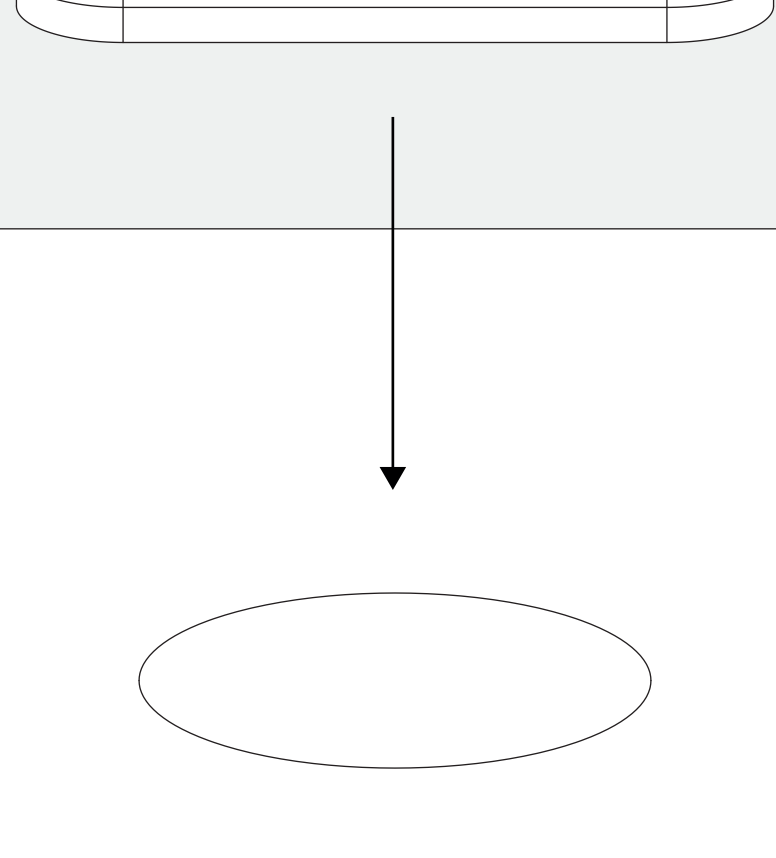
if > 19mm



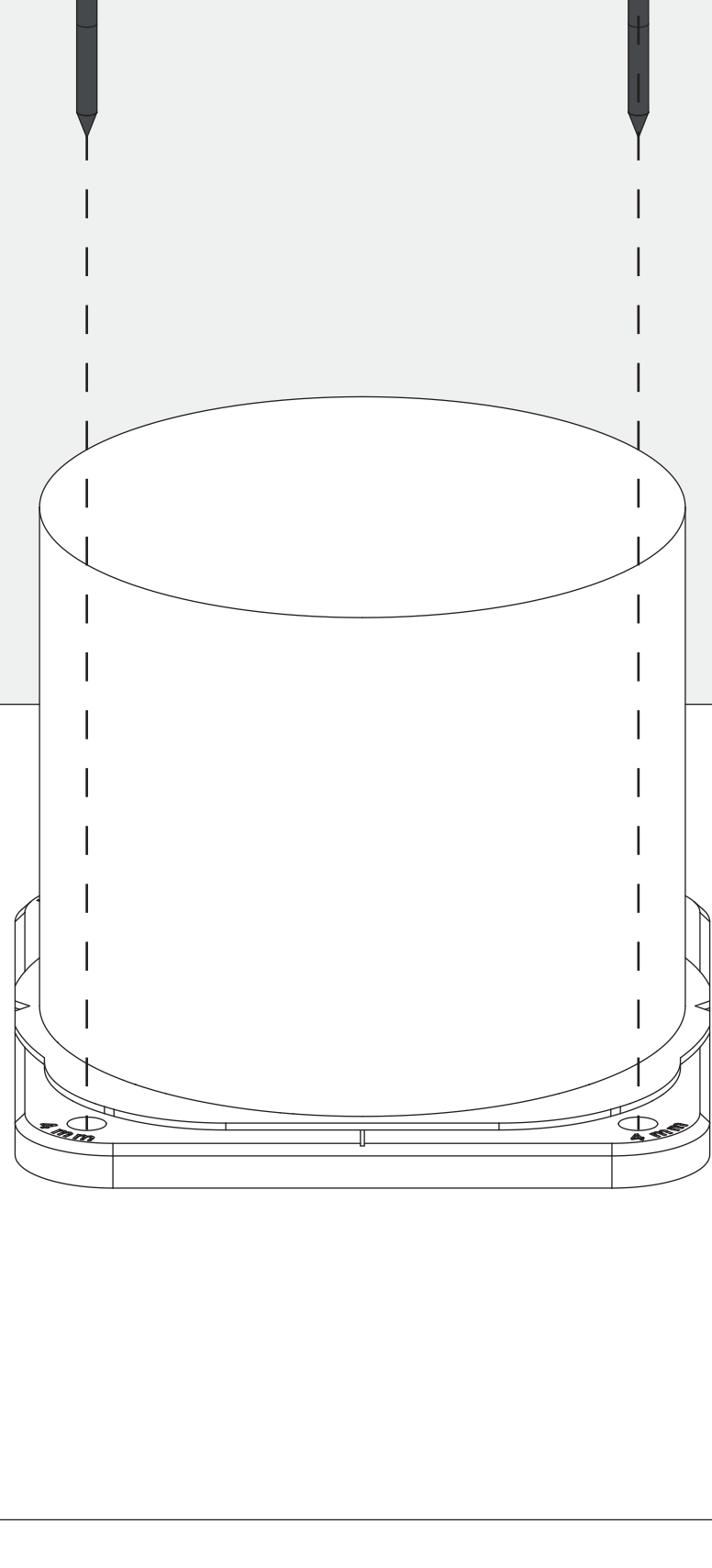
if < 19mm



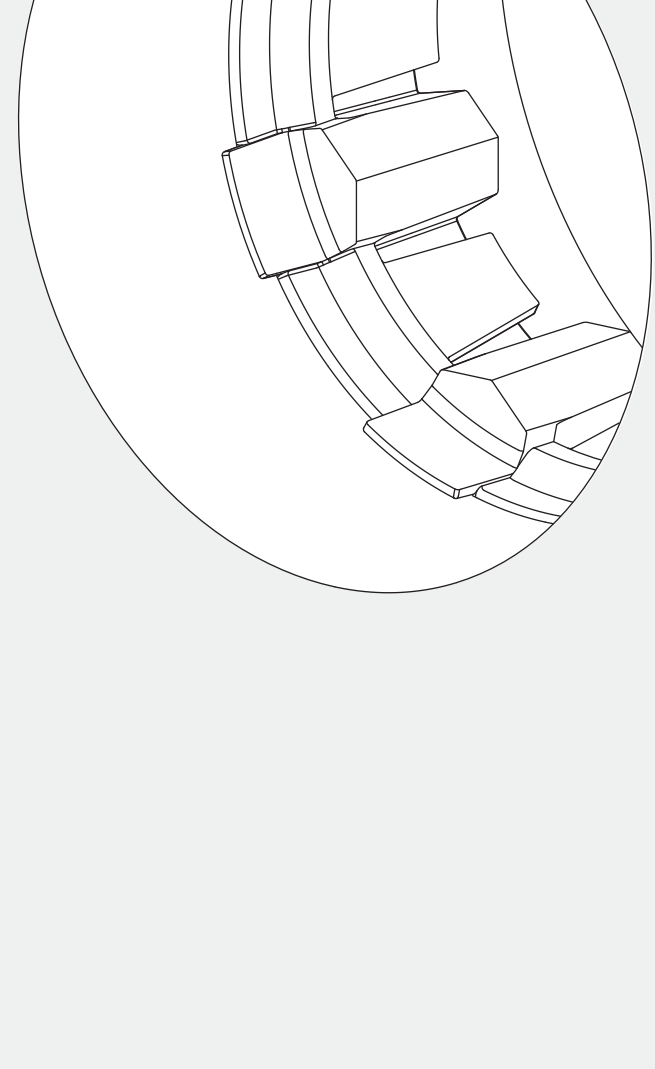
5



6



7



compatible with retrofit/easyfit modules

thank you for choosing rond