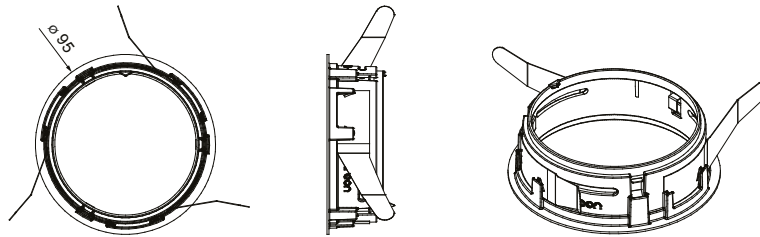


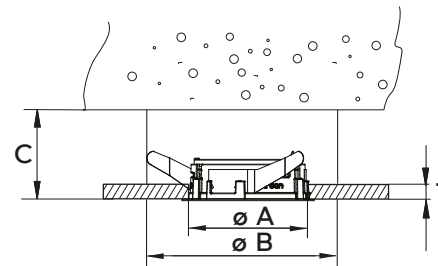
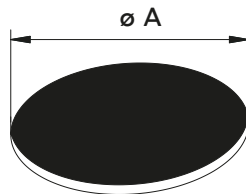
# kreon installation manual

## technics & dimensions



name	reference
installation kit with trim	KR71702x

## 1. installation

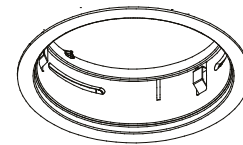
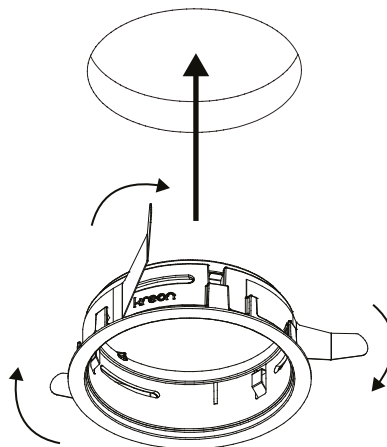


Minimum dimension for installation Diapason 40/ 80/ 120 base

Cut out ø A	ø B	C <sub>min</sub>	T <sub>min</sub> -T <sub>max</sub>
90	150	70*	9-26

\*In case of standard driver (KR772024/ KR772022/KR772122) which needs to be pushed through the plasterkit  
 In case of driver placed at distance (doesn't need to be pushed through the plasterkit) C<sub>min</sub> = 60  
 In case of a different driver, the installation dept C<sub>min</sub> = length of driver + 30 mm

## 2. installation



Install Diapason 40/ 80/ 120 base according to installation manual KR8166002145

Fold springs inwards (anti-clockwise)  
 Insert installation ring into ceiling