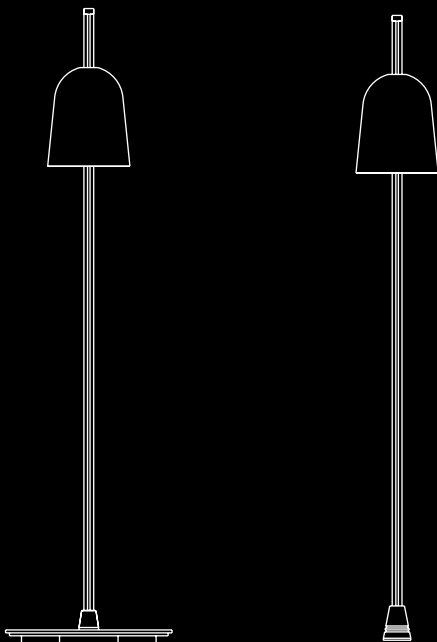


ASCENT

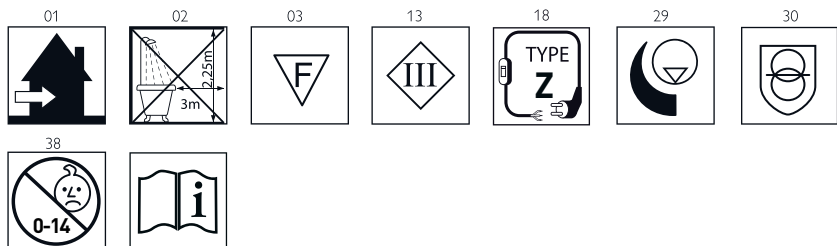
design Daniel Rybakken



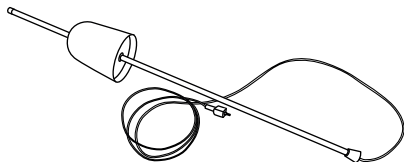
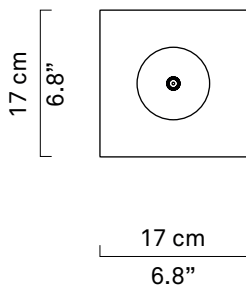
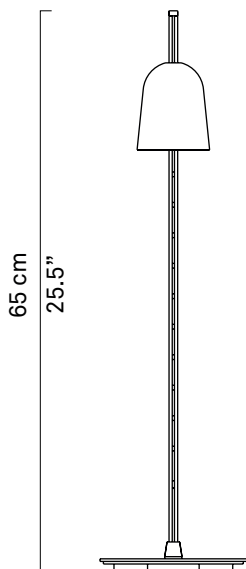
**LUCE
PLAN**

D78

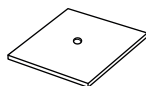




D78



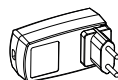
x 1



x 1



x 1



x 1

kg 1,7 kg

lb 3.8 lb

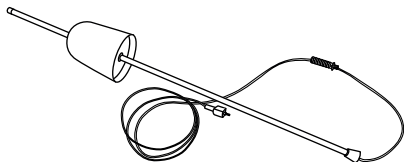
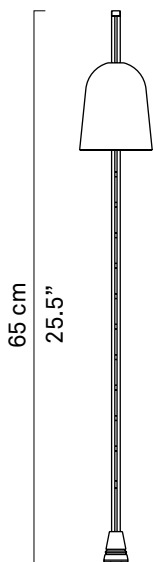
D78 p.t.



a



b



x 1



x 1

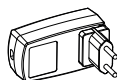


x 1



∅ 8,5 cm

∅ 3.3"

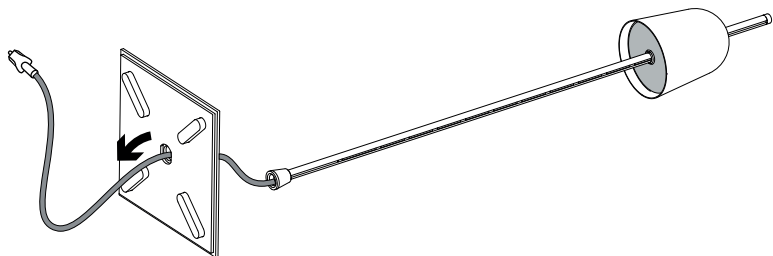


x 1

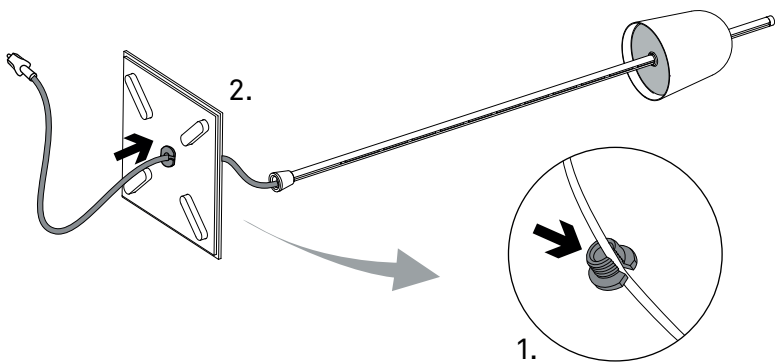
kg 0,6 kg

lb 1.4 lb

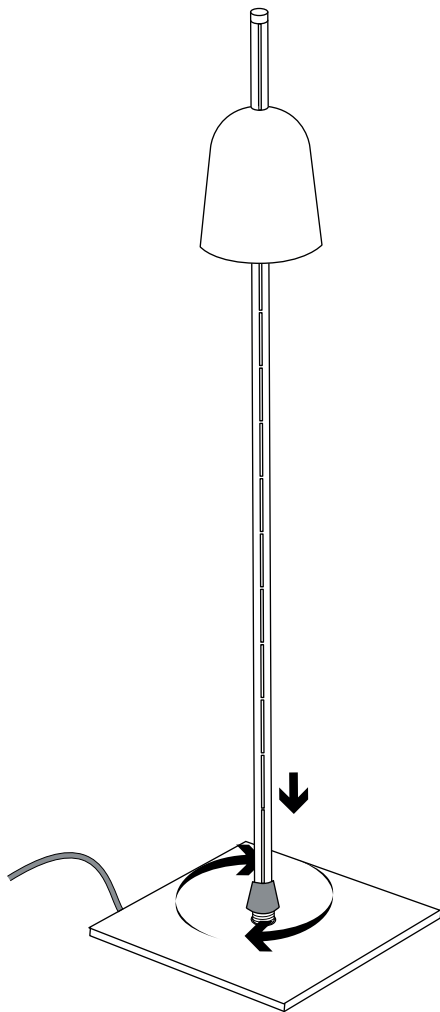
1 D78



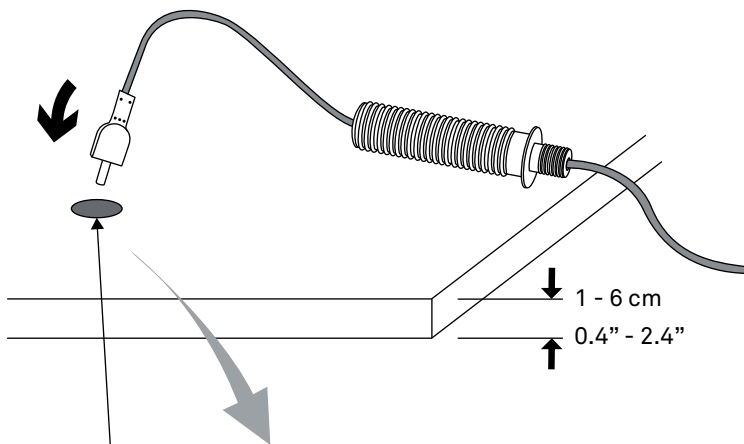
1.1



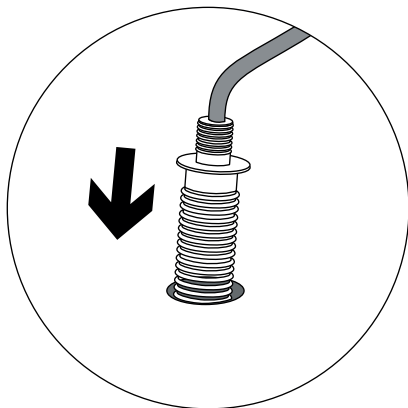
1.2



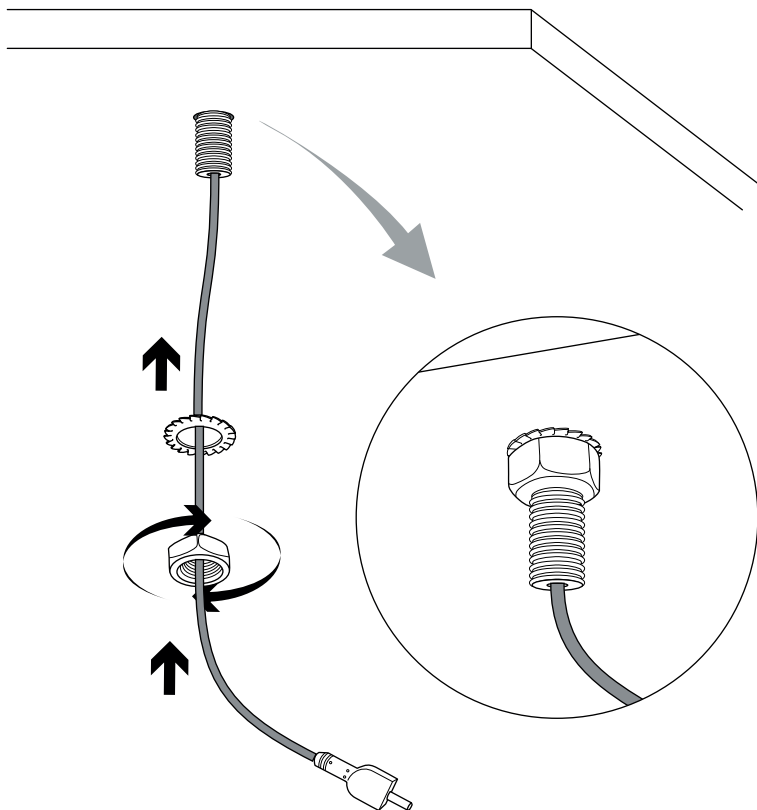
1 D78 p.t.



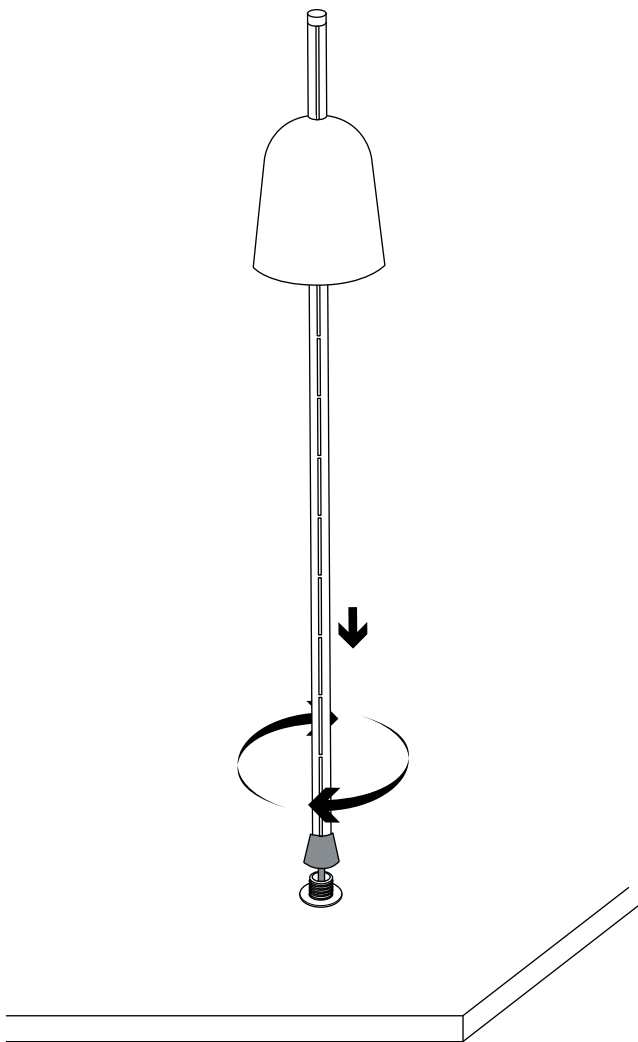
∅ 2 cm
∅ 0.8"



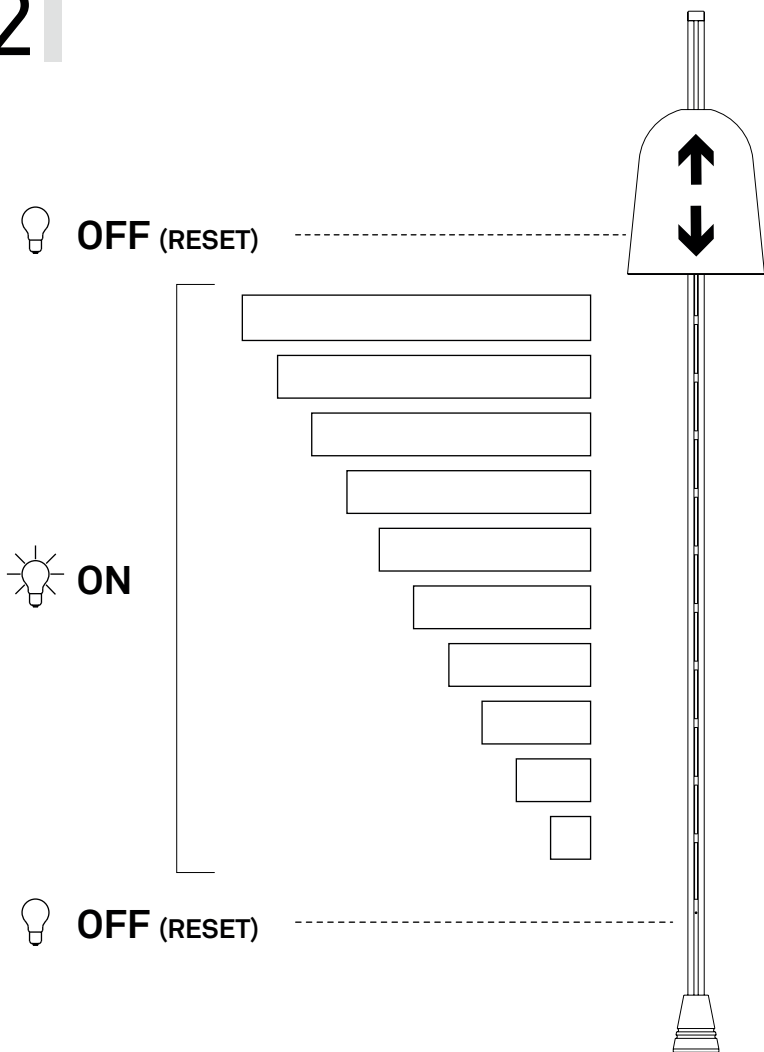
1.1

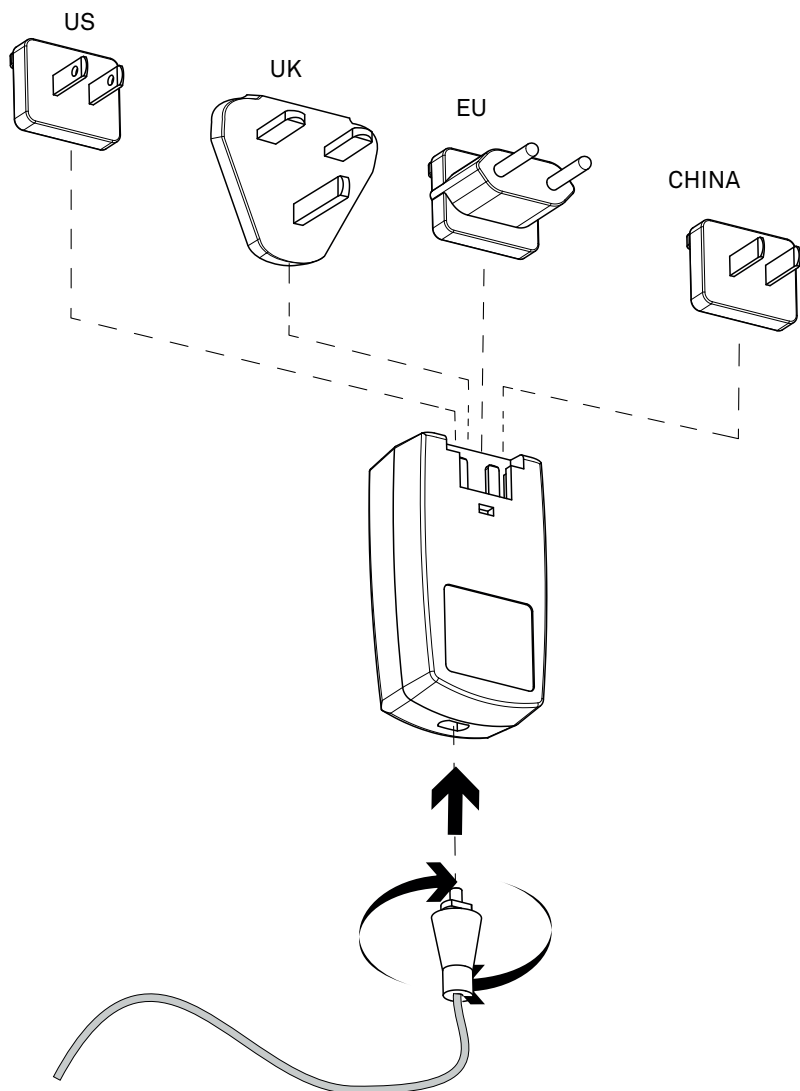


1.2



2







www.luceplan.com

D780IB201