


# ASCENT

design Daniel Rybakken, 2013

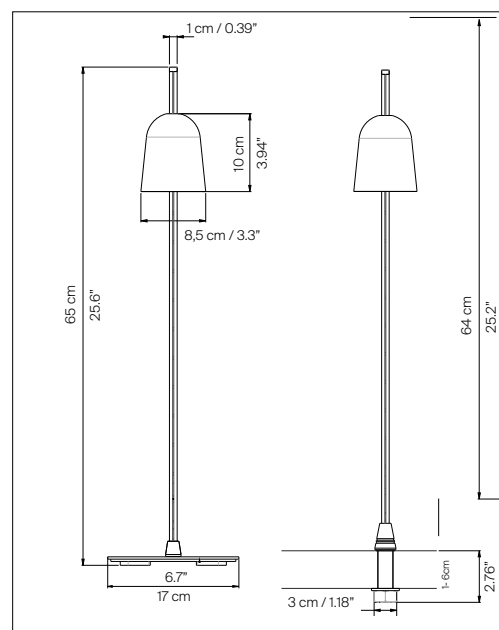
**LUCE  
PLAN**

Type:	Table	
Light source:	LED 11W <sup>(1)</sup> 2700K dimmer on board	EEL: A
Product use:	Indoor	
Materials:	Extruded aluminium anodized in black, base in black painted steel, fixing pin with impact-proof device in black polyurethane rubber.	
Colors:	Black	
Description:	Intimate, conceptual, Ascent provides infinite shadings of light intensity, thanks to the very precise axial dimmer controlled by electronics mounted inside the shade. Circuits on the stem send input to a microprocessor that reacts to the vertical movement, adjusting light flow.	



Insulation class: 

Reference code: D78 1D780=000001  
D78 p.t. 1D780PT00001



<sup>(1)</sup>The LED lamps cannot be changed in the luminaire  
Power consumption by device

