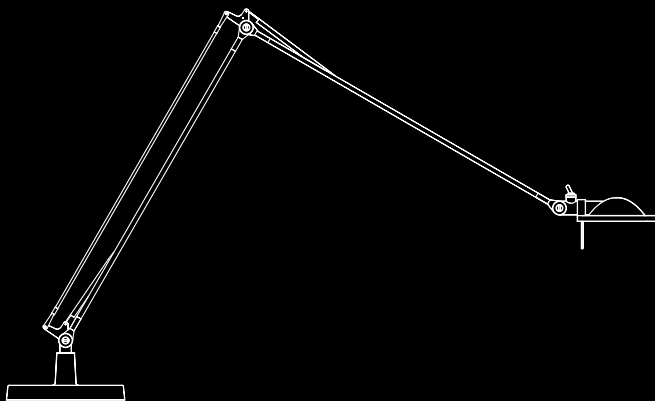


# BERENICE

design Alberto Meda / Paolo Rizzatto

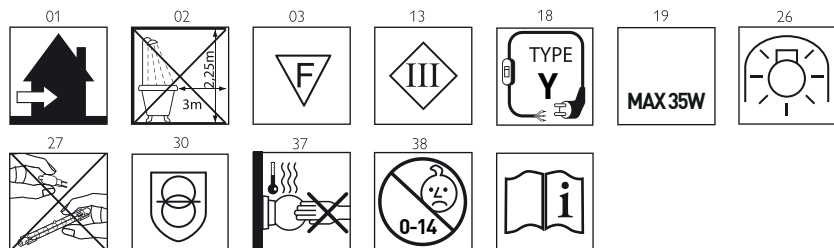


**LUCE  
PLAN**

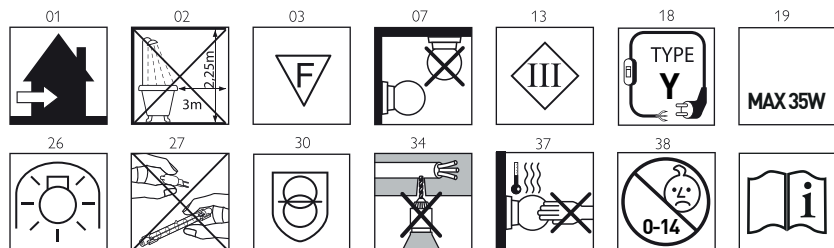
D12



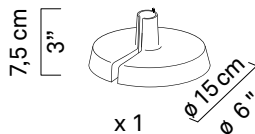
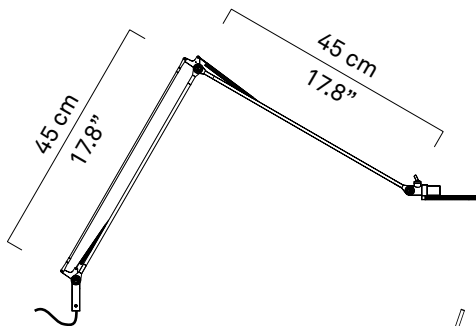
## D12 EL - D12 EL pt - D12 EL pi - D12 EL t



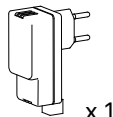
## D12 EL a.45 - D12 EL a.pi



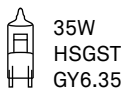
## D12 EL



x 1



x 1



35W  
HSGST  
GY6.35



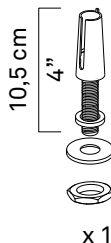
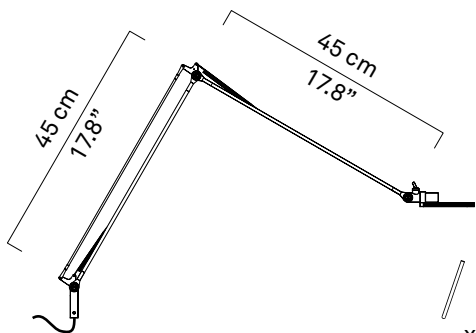
30W  
HSGST  
GY6.35  
energy saver

x 1

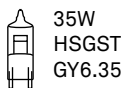
kg 0,3 kg

lb 0.7 lb

## D12 EL pt



x 1



35W  
HSGST  
GY6.35



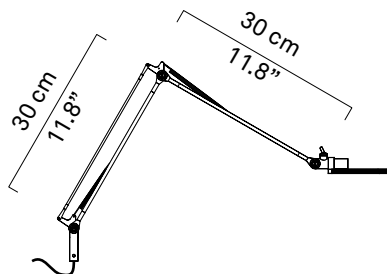
30W  
HSGST  
GY6.35  
energy saver

x 1

kg 0,3 kg

lb 0.7 lb

## D12 EL pi

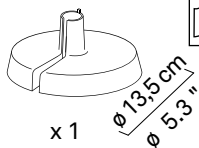


35W  
HSGST  
GY6.35



30W  
HSGST  
GY6.35  
energy saver

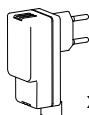
7,5 cm  
3"



x 1



x 1



x 1

kg 0,3 kg

lb 0.7 lb

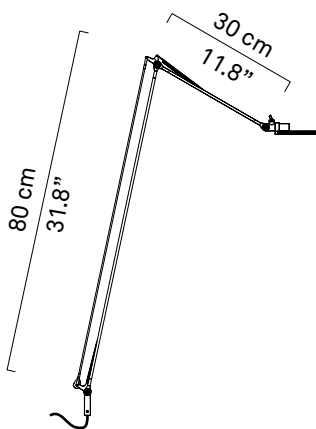


a



b

## D12 EL t

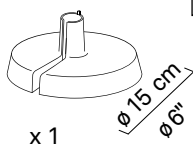


35W  
HSGST  
GY6.35



30W  
HSGST  
GY6.35  
energy saver

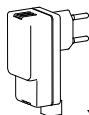
7,5 cm  
3"



x 1



x 1



x 1

kg 0,5 kg

lb 1.1 lb

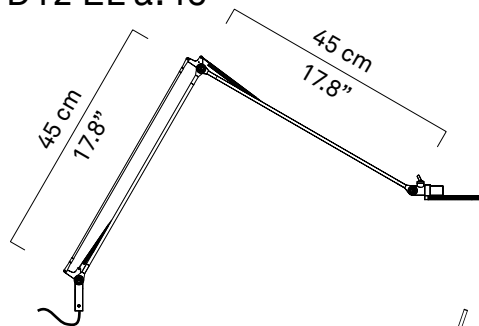


a



b

## D12 EL a.45



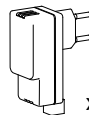
35W  
HSGST  
GY6.35



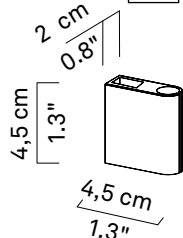
30W  
HSGST  
GY6.35  
energy saver



x 1



x 1



x 1

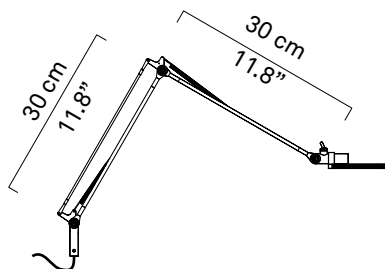


a



b

## D12 EL a.pi



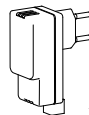
35W  
HSGST  
GY6.35



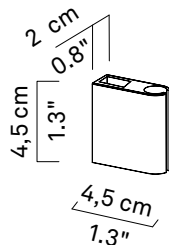
30W  
HSGST  
GY6.35  
energy saver



x 1



x 1



x 1



a

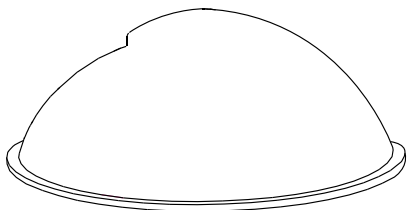


b

**kg** 0,3 kg

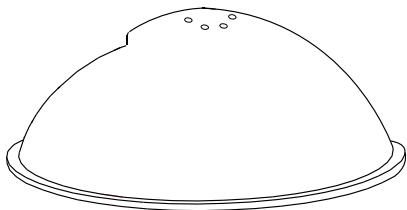
**lb** 0.7 lb

D12/4



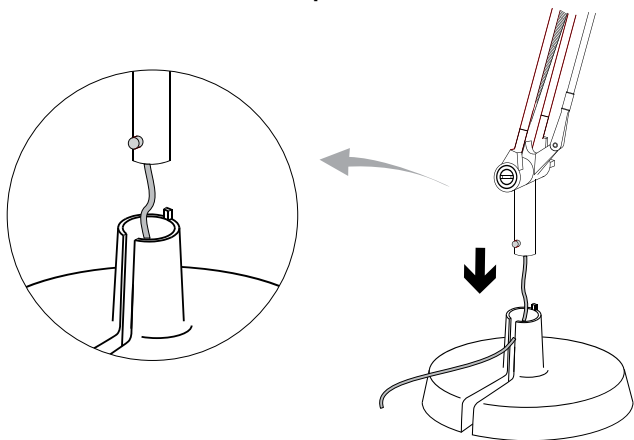
---

D12/5



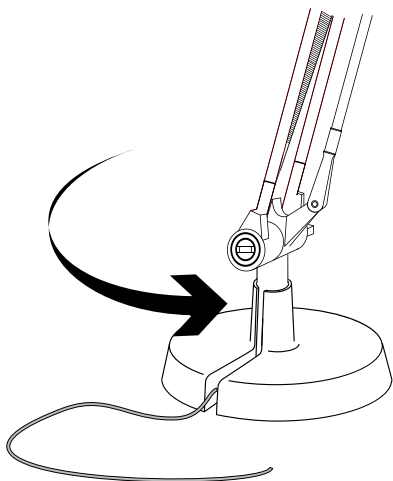
---

# 1 D12 EL - D12 EL pi - D12 EL t

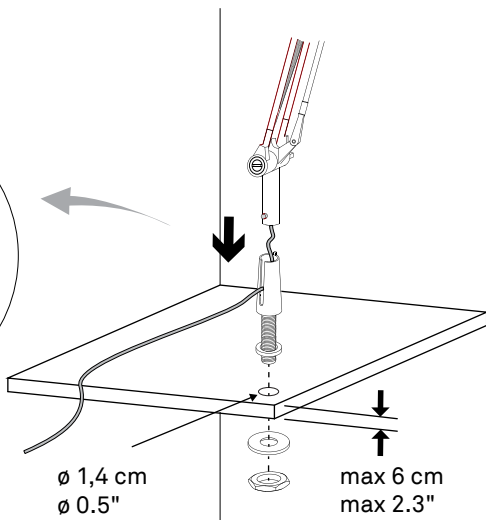
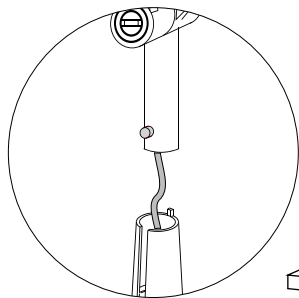


---

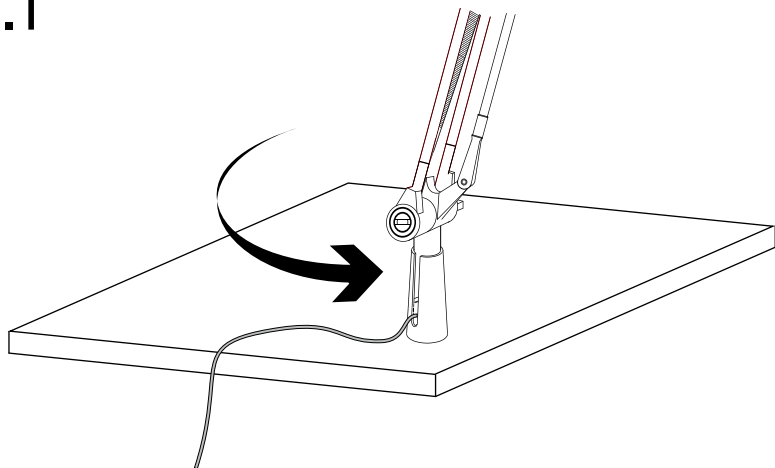
## 1.1



## 1 D12 EL pt



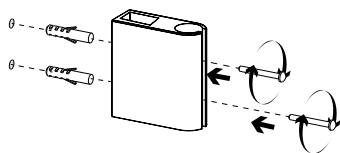
## 1.1



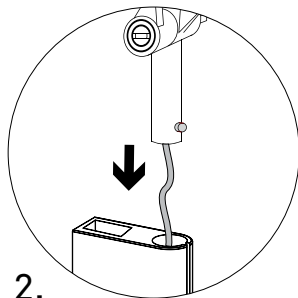


---

# 1 D12 EL a.45 - D12 EL a.pi



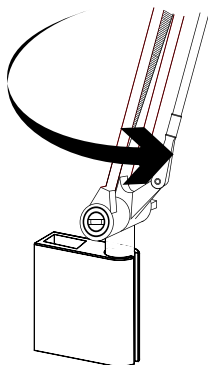
1.



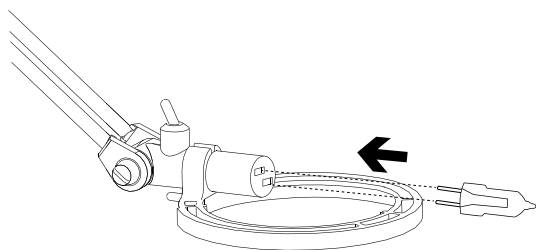
2.

---

## 1.1



## 2

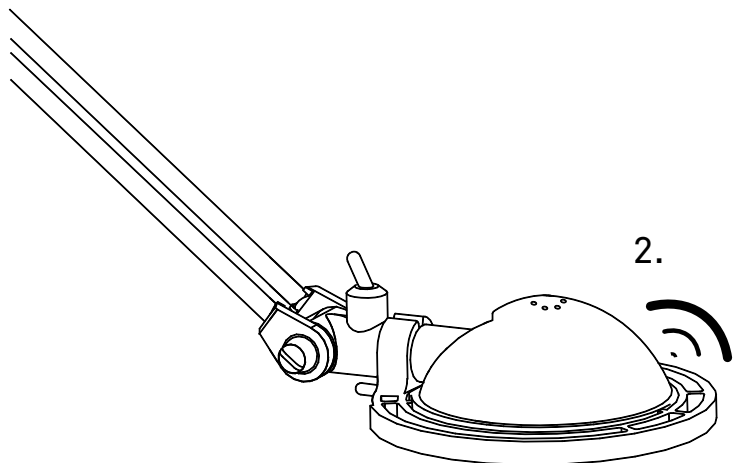
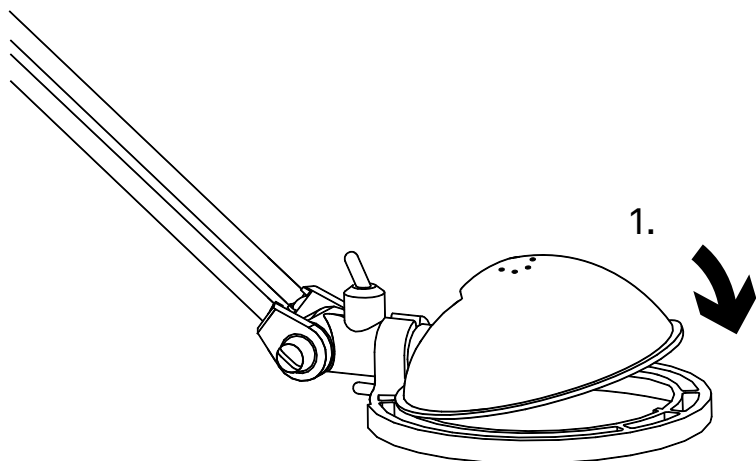


27

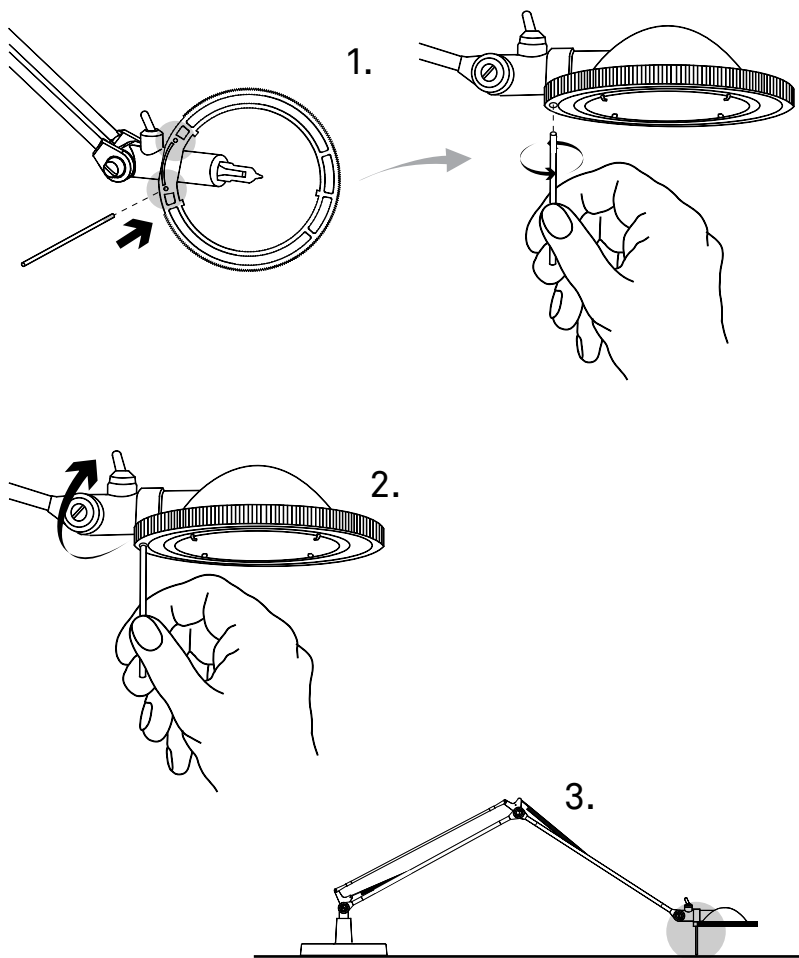


---

## 2.2

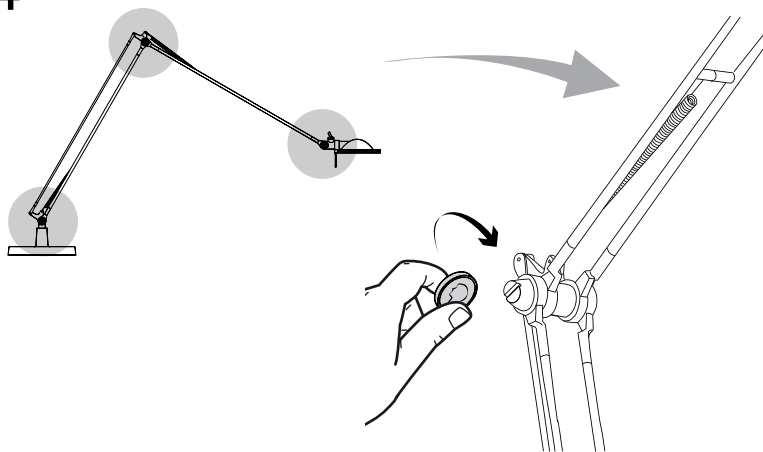


## 2.3



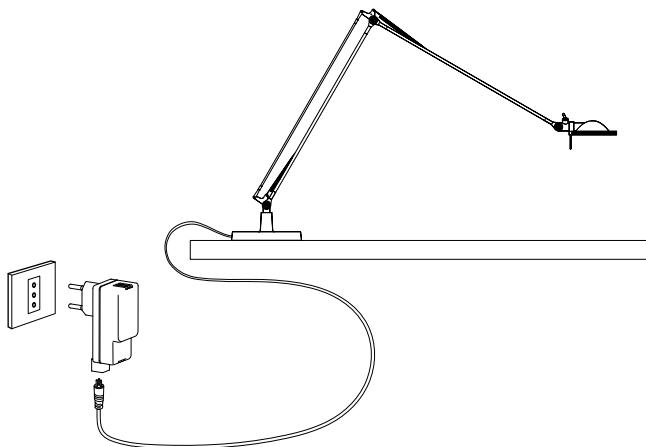
---

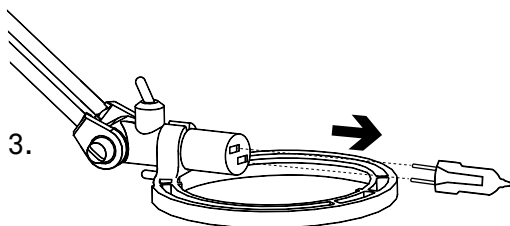
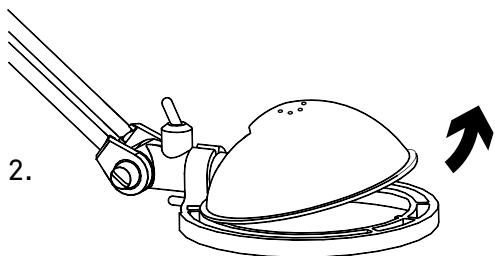
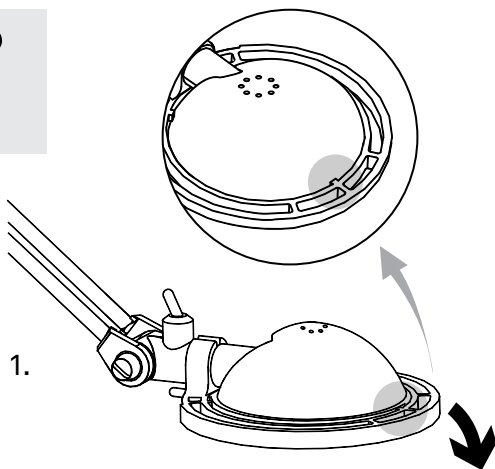
## 2.4



---

## 2.5







**LUCE  
PLAN**

[www.luceplan.com](http://www.luceplan.com)



Quality System  
Certificate  
UNI EN  
ISO 9001

D1 2010206