

BULBULLIA

design Francisco Gomez Paz

**LUCE
PLAN**

Type: Wall/Ceiling




Light source: D95A3 LED module 17W^(*) 2700K 1.053 lm EEL: A+ dimmable phase cut
 D95A3D LED module 16W^(*) 2700K 1.053 lm EEL: A+ dimmable push/DALI
 D95A5 LED module 27W^(*) 2700K 1.910 lm EEL: A+ dimmable phase cut
 D95A5D LED module 26W^(*) 2700K 1.910 lm EEL: A+ dimmable push/DALI

Product use: Indoor

Materials: Aluminium and polycarbonate

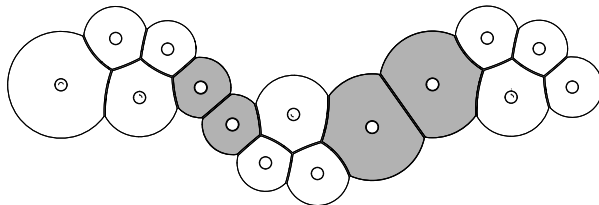
Colors: White

Description: A series of parabola of different sizes intersect to generate the characteristic geometric form of soap bubbles

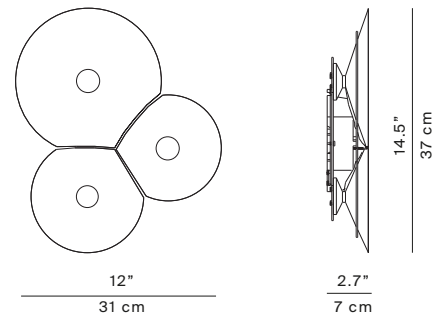
Insulation class:   

Reference code: Structure
D95A3 1D950A300002 bianco
D95A3D 1D950A3D0002 bianco
D95A5 1D950A500002 bianco
D95A5D 1D950A5D0002 bianco

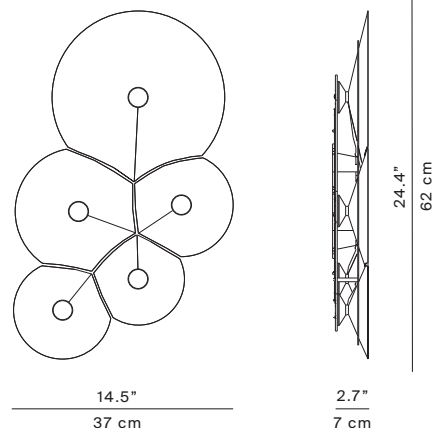
Connection kit only for D95A5/D95A5D
D95/3 1D950/030002



D95A3



D95A5



Compatible phase cut Dimmer list

| Manufacturer | Model | Q'ty of parallel connection | Min. load (W) |
|--------------|-----------|-----------------------------|---------------|
| Bush | 6519U | 10 | 40W |
| Busch | 6513U-102 | 10 | 40W |
| ETMAN | 321P | 10 | 25W |
| CLIPSAL | 32E450TM | 10 | 10W |
| Schneider | SBD315RC | 10 | 20W |
| CLIPSAL | 32E450TM | 10 | 10W |

^(*) The LED lamps cannot be changed in the luminaire
 Power consumption by device