

BROKIS®

CM15005

# ORBIS

150, 300 / PC1289, PC1290



### COMPONENTS INCLUDED WITH UNIT:

- 1× light
- 1× ceiling canopy
- 1× power cable
- 1× fixture cover
- 2× set screw M5×12
- 1× hex key size 1.5
- 1× hex key size 2.5
- 2× plastic cable stop
- 1× pair cotton gloves
- 1× installation manual

### WARNING:

**Installation must be carried out by a qualified electrician only.**

**Switch off power at main circuit panel prior to installation!**

**The manufacturer assumes no liability for damage occurring in transport or resulting from incorrect installation.**

**Installation time: 30 minutes / 2 persons**



BROKIS®

BROKIS S.R.O.  
ŠPANILOVA 1315/25  
163 00 PRAHA 6 - ŘEPY  
CZECH REPUBLIC

ORG. ID 64940799  
VAT ID CZ64940799  
C 42174 MĚSTSKÝ SOUD  
V PRAZE

TEL +420 567 211 517  
TECHNICAL@BROKIS.CZ  
INFO@BROKIS.CZ  
WWW.BROKIS.CZ



### CLEANING THE GLASS:

**BROKIS upholds only the highest possible quality standards. Prior to shipping, the light undergoes several quality controls and stages of cleaning. Because transportation, storage, and the amount of time that passes between packing at our plant and subsequent unpacking by the client can affect the light in different ways, we strongly recommend cleaning it prior to assembly.**

**The glass must first be rinsed in warm water, and a dish detergent may be used to remove all foreign particles, dust, and grease. Repeat the process if necessary and then dry the glass thoroughly with a paper towel.**

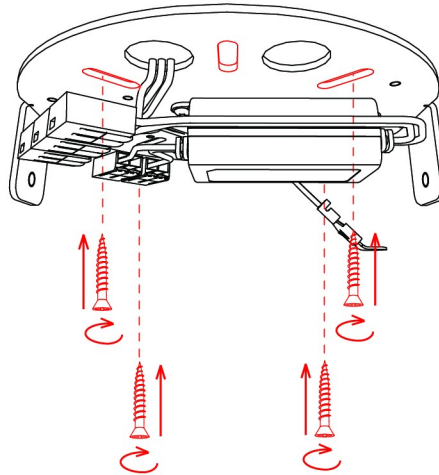
**Recommendation: Do not use mineral spirits, highly concentrated thinners, or other substances not intended for use on glass surfaces. Do not use any cleaning agents containing silicone, as they may leave a film and attract dust and smudges.**

**PRIOR TO SHIPPING, THE FUNCTIONALITY OF EACH LIGHT AND ITS COMPONENTS IS CHECKED THOROUGHLY. THE MANUFACTURER ASSUMES NO LIABILITY FOR THE MISHANDLING OF PRODUCTS.**



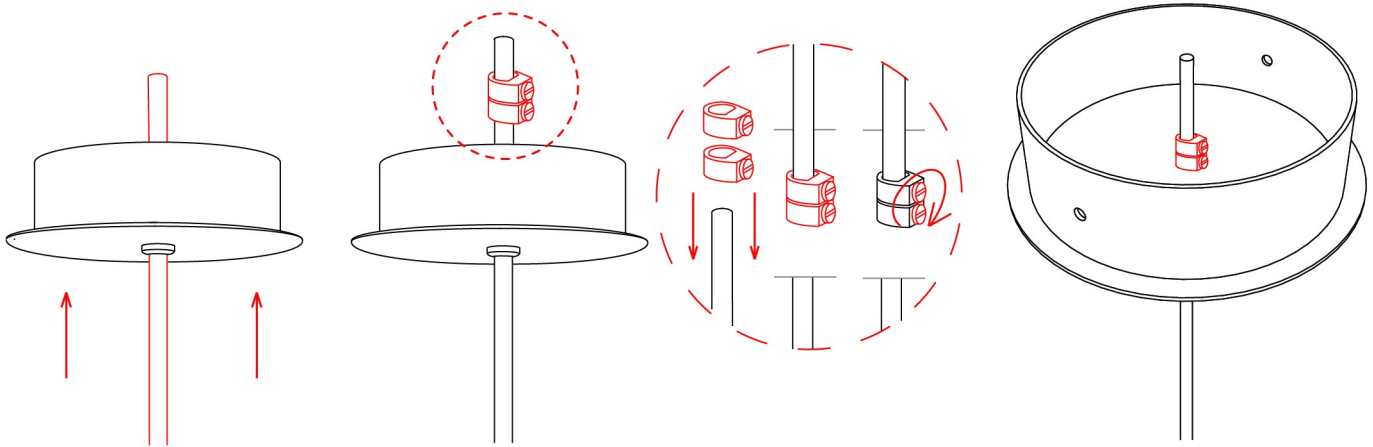
## 1. INSTALLING THE CEILING BRACKET

Using anchors of sufficient strength (not included), secure the bracket to the ceiling. With regard to various types of ceilings, we recommend consulting installation with an expert. The manufacturer assumes no liability for incorrect installation, the use of improper anchors, or defects in the material to which the bracket is secured.



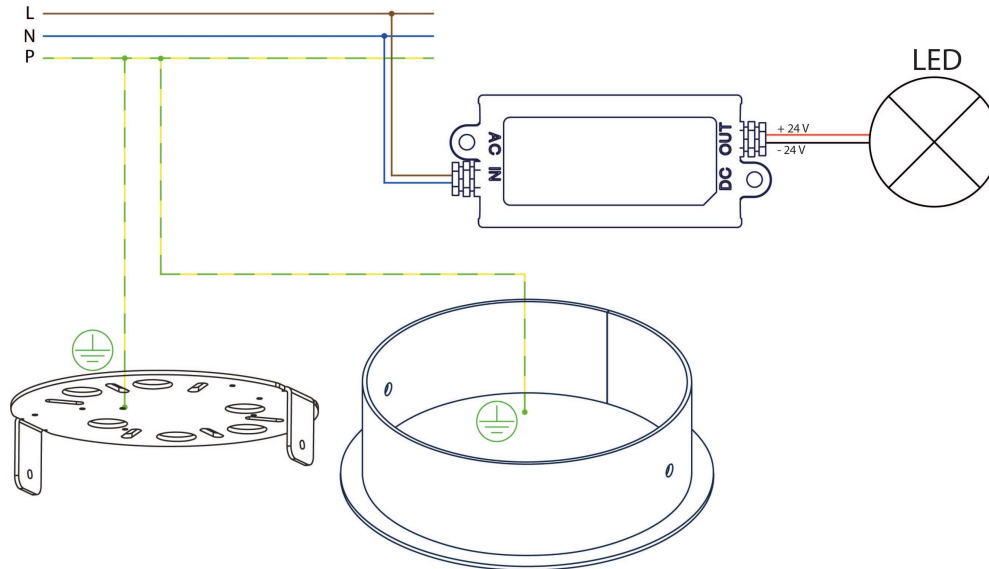
## 2. INSTALLING THE POWER CABLE

Pass the power cable through the grommet in the ceiling canopy, adjust to the required length, and then secure in place with the two plastic cable stops.



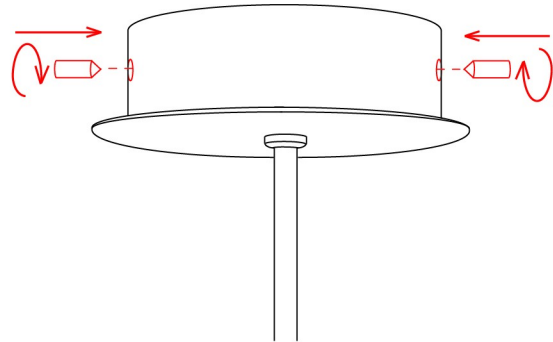
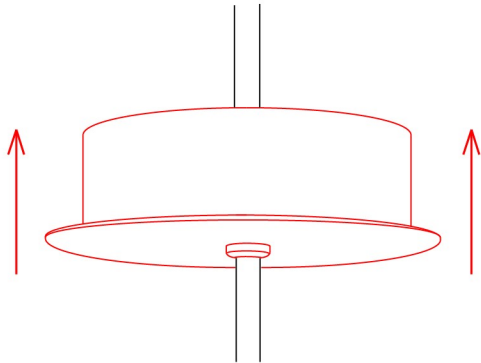
### 3. CONNECTING THE LIGHT TO THE BUILDING WIRING

Connect the light to the building wiring according to the connection diagram.  
See provided documentation when using other electronics.



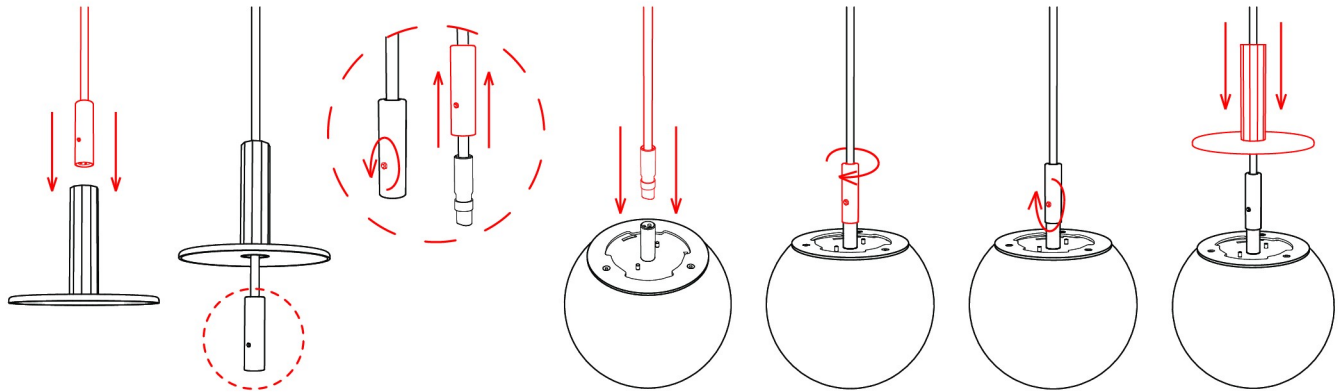
#### 4. INSTALLING THE CEILING CANOPY

Use the two set screws (M5×12) and the size 2.5 hex key to attach the ceiling canopy to the bracket.



## 5. ASSEMBLING THE LIGHT

Pass the power cable through the fixture cover. Using the 1.5 hex key, loosen the set screw on the connector. Insert the connector on the power cable into the connector on the light and screw the sleeve in place. Retighten the set screw and position the fixture cover on the light.





## 6. SWITCHING ON THE LIGHT

Restore power at the main circuit panel and verify that the light works properly.

