

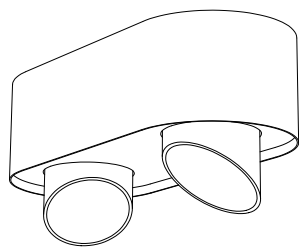


SHUFFLE

**tossB**

PRODUCT INFORMATION

## SHUFFLE SURFACE

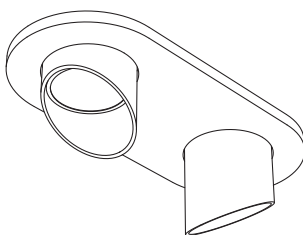


LAMP TYPE	RETROFIT LED
FITTING	GU10
WATTAGE	2x10W
VOLTAGE	230V
GEAR	-
CLASS	1

### ORDER CODE

BLACK	T49S5HZL
WHITE	T49S5HWL

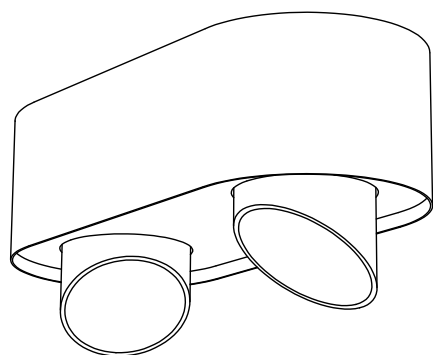
## SHUFFLE RECESSED



LAMP TYPE	RETROFIT LED
FITTING	GU10
WATTAGE	2x10W
VOLTAGE	230V
GEAR	-
CLASS	1

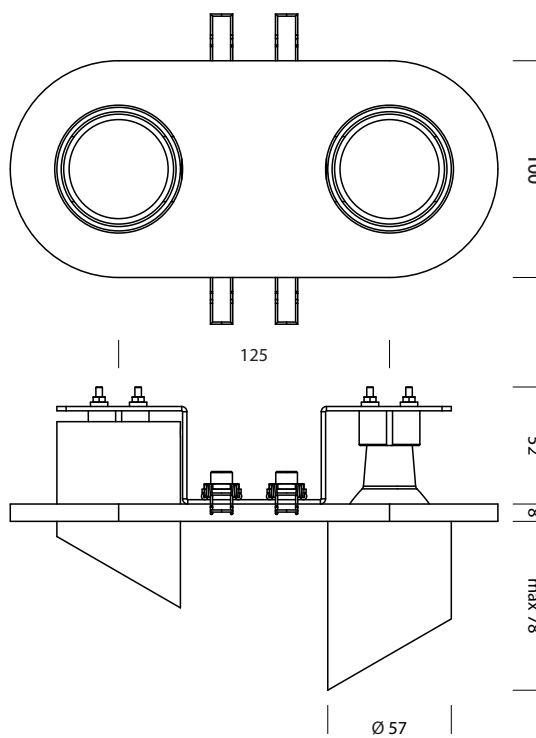
### ORDER CODE

BLACK	T49S2HZL
WHITE	T49S2HWL



227 MM

65 MM



125

Ø 57

100

52

8

max 78

tossB

**TOSSB.COM**  
CREATORS OF LIGHTING UNITS