



### Viscontea

■ F8001009 - White

Designed by Achille and Pier Giacomo Castiglioni

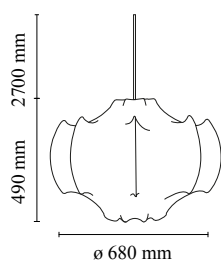
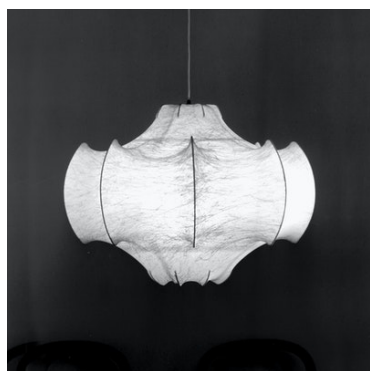
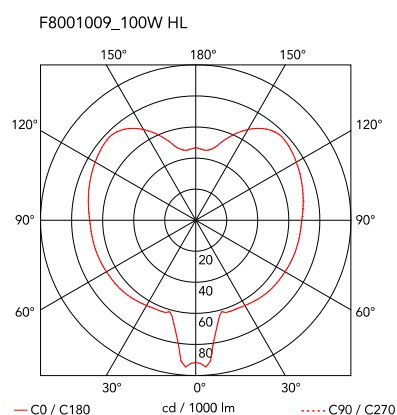
Suspension lamp providing diffused light. White powder coated internal steel structure sprayed with a unique cocoon resin to create the diffuser which is then protected by a transparent sprayed on finish.

### Main specifications

<b>Mounting</b>	Suspension	<b>Iicos</b>	HSGS
<b>Environment</b>	Indoor dry location	<b>Autoprotected Lamp</b>	Yes
<b>Light source type</b>	Bulb	<b>Number of heads</b>	1
<b>Lamp category</b>	Halogen	<b>Source Power (W)</b>	100
<b>Lamp holder</b>	E27		

### Optical

<b>Lighting Type</b>	Total
<b>Lighting distribution</b>	Asymmetric
<b>Cold Beam Lighting</b>	No
<b>Extreme Cut off</b>	No



### Electrical

<b>Insulation class</b>	I	<b>Charging Min Time</b>	No
<b>Frequency (Hz)</b>	50/60		
<b>Main Voltage (Vac)</b>	220-250		
<b>Batteries Inside</b>	No		
<b>Cord length (mm)</b>	2700		

### Physical

<b>Colour</b>	White
<b>Net weight (kg)</b>	1.75
<b>Gross weight (kg)</b>	3.86
<b>IP</b>	20
<b>IP external</b>	20

