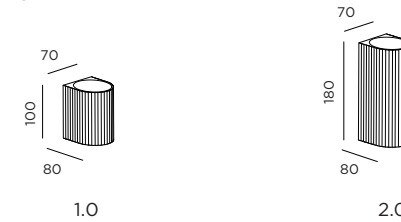


DIMENSIONS

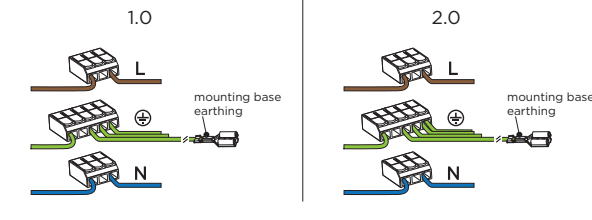


MOUNTING INSTRUCTION

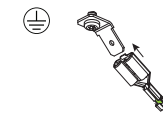
1 Remove the mounting base from the luminaire by loosening the side socket screw and mount it on the wall with screws (screws are not included).

2 **POWER CONNECTION**

Connect to 220-240V.



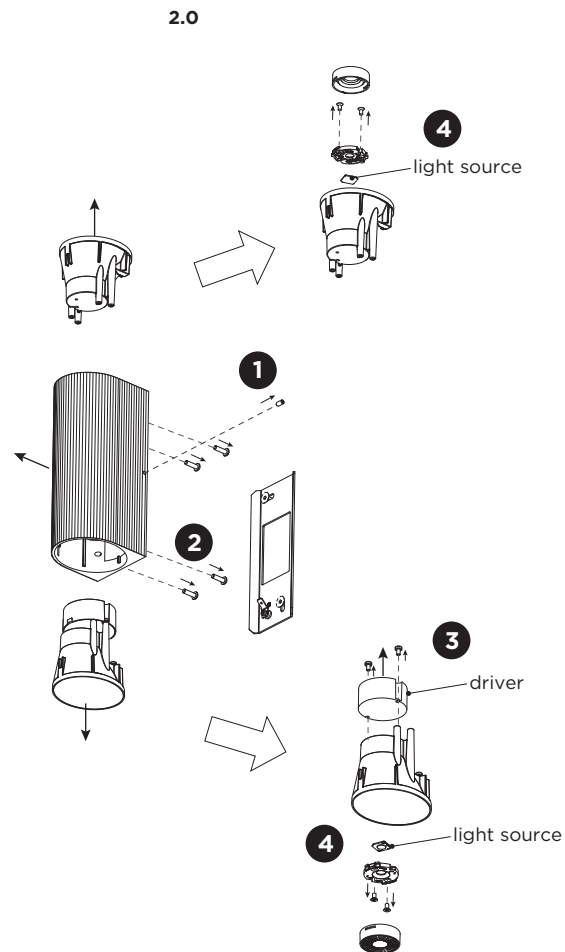
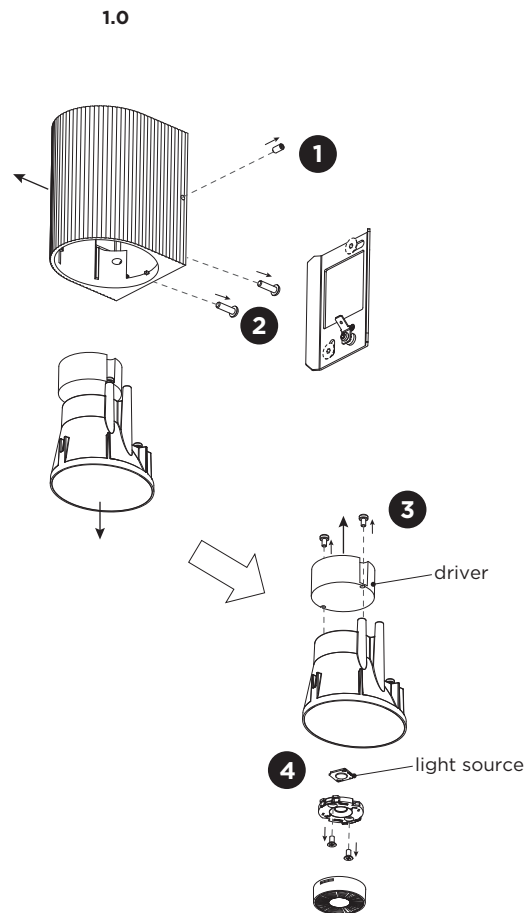
Connect the mounting base earth cable.



3 Fix the luminaire on the mounting base with the side socket screw.

TRACE

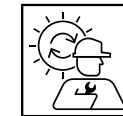
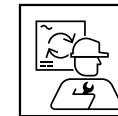
INSTALLATION INSTRUCTIONS | MAY 2022



DISMOUNTING INSTRUCTION Light source & driver

- 1 Loosen the side screws, disconnect wires, and remove the fixture from the mounting base.
- 2 Unscrew the two screws and remove all the components from the housing.
- 3 Unscrew the two screws, disconnect wires, and take out the driver.
- 4 Remove the components and take out the COB.

To replace the light source / driver please contact your Wever & Ducré customer service contact point.



This luminaire contains a light source with the energy class D.

